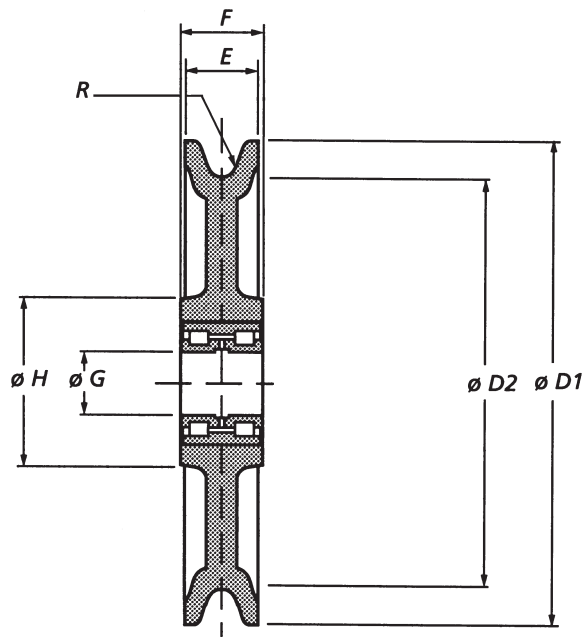


Sheaves with cylindrical roller bearings



| Stock No. | Model No. | Wire (mm) | Dimensions (mm) | | | | | | | Bearing | Material | Weight (kg) |
|----------------|------------------|-----------|-----------------|-----|----|-------|-----|-----|------|----------|----------|-------------|
| | | | ØD1 | ØD2 | E | F | ØG | ØH | R | | | |
| 31.150.60.03 | | 12 | 150 | 120 | 36 | 40/34 | 30 | 80 | 6.5 | NNF 5006 | GGG-60 | 3 |
| 31.200.60.03 | | 14 | 200 | 165 | 36 | 40/34 | 30 | 80 | 7.5 | NNF 5006 | GGG-60 | 4.5 |
| 31.250.60.03 | | 18 | 250 | 210 | 40 | 45/36 | 35 | 90 | 9.5 | NNF 5007 | GGG-60 | 8 |
| 31.300.60.03 | | 20 | 300 | 255 | 45 | 50/38 | 40 | 100 | 11 | NNF 5008 | GGG-60 | 12 |
| 31.320.50.03 | SE.280.5010.7 | 13 | 320 | 280 | 36 | 40 | 50 | 140 | 7 | NNF 5010 | GGG-50 | 8.5 |
| 31.321.50.03 | SE.280.5012.7 | 13 | 320 | 280 | 38 | 46 | 60 | 140 | 7 | NNF 5012 | GGG-50 | 9.2 |
| 31.322.50.03 | SE.285.5012.8.5 | 16 | 320 | 280 | 38 | 46 | 60 | 140 | 8,5 | NNF 5012 | GGG-50 | 9.3 |
| 31.350.70.03 | | 22 | 350 | 305 | 45 | 50/40 | 45 | 115 | 12 | NNF 5009 | GGG-70 | 17 |
| 31.365.50.03 | SE.320.5013.9 | 16 | 365 | 320 | 42 | 46 | 65 | 160 | 9 | NNF 5013 | GGG-50 | 13.3 |
| 31.400.70.03 | | 24 | 400 | 345 | 55 | 60/40 | 50 | 140 | 13 | NNF 5010 | GGG-70 | 24 |
| 31.410.50.03 | SE.355.5013.8.5 | 16 | 410 | 355 | 42 | 46 | 65 | 160 | 8.5 | NNF 5013 | GGG-50 | 16.3 |
| 31.411.50.03 | SE.355.5018.9 | 17 | 410 | 355 | 42 | 67 | 90 | 160 | 9 | NNF 5018 | GGG-50 | 20.4 |
| 31.420.50.03 | SE.360.5016.9.5 | 18 | 420 | 360 | 50 | 60 | 80 | 160 | 9.5 | NNF 5016 | GGG-50 | 23.7 |
| 31.450.70.03 | | 28 | 450 | 390 | 60 | 70/46 | 55 | 140 | 15 | NNF 5011 | GGG-70 | 48 |
| 31.460.50.03 | SE.400.5013.9.5 | 18 | 460 | 400 | 42 | 46 | 65 | 175 | 9.5 | NNF 5013 | GGG-50 | 22.3 |
| 31.461.50.03 | SE.400.5014.9.5 | 18 | 460 | 400 | 48 | 54 | 70 | 175 | 9.5 | NNF 5014 | GGG-50 | 21.8 |
| 31.462.50.03 | SE.400.5016.11.5 | 22 | 460 | 400 | 50 | 60 | 80 | 200 | 11.5 | NNF 5016 | GGG-50 | 22.7 |
| 31.463.50.03 | SE.410.5018.11.5 | 22 | 460 | 400 | 61 | 67 | 90 | 200 | 11.5 | NNF 5018 | GGG-50 | 23.7 |
| 31.464.50.03 | SE.410.5013.9 | 17 | 460 | 410 | 42 | 46 | 65 | 200 | 9 | NNF 5013 | GGG-50 | 22.3 |
| 31.465.50.03 | SE.410.5018.9 | 17 | 460 | 410 | 61 | 67 | 90 | 200 | 9 | NNF 5018 | GGG-50 | 24.7 |
| 31.500.70.03 | | 30 | 500 | 430 | 70 | 80/46 | 60 | 150 | 16 | NNF 5012 | GGG-70 | 44 |
| 31.515.50.03.0 | SE.450.5018.10 | 19 | 515 | 450 | 61 | 67 | 90 | 200 | 10 | NNF 5018 | GGG-50 | 39.7 |
| 31.515.50.03.1 | SE.450.5018.11.5 | 20 | 515 | 450 | 61 | 67 | 90 | 200 | 11.5 | NNF 5018 | GGG-50 | 39.7 |
| 31.517.50.03 | SE.450.5024.10 | 19 | 515 | 450 | 70 | 80 | 120 | 270 | 10 | NNF 5024 | GGG-50 | 45 |

- Different shaft sizes possible.
- Groove may be adjusted to other wire rope diameters.

cont'd

Sheaves with cylindrical roller bearings

| Stock No. | Model No. | Wire (mm) | Dimensions (mm) | | | | | | | Bearing | Material | Weight (kg) |
|-----------------|------------------|-----------|-----------------|------|-----|--------|-----|-----|------|----------|----------|-------------|
| | | | ØD1 | ØD2 | E | F | ØG | ØH | R | | | |
| 31.550.70.03 | | 34 | 550 | 480 | 70 | 80/54 | 70 | 170 | 18 | NNF 5014 | GGG-70 | 55 |
| 31.560.50.03 | SE.482.5018.11 | 20 | 560 | 482 | 62 | 67 | 90 | 200 | 11 | NNF 5018 | GGG-50 | 38.7 |
| 31.570.50.03 | SE.500.5018.13.5 | 25 | 570 | 500 | 59 | 67 | 90 | 200 | 13.5 | NNF 5018 | GGG-50 | 38.7 |
| 31.595.50.03 | SE.528.5018.13 | 24 | 595 | 528 | 61 | 67 | 90 | 200 | 13 | NNF 5018 | GGG-50 | 48.7 |
| 31.596.50.03 | SE.528.5024.13.5 | 25 | 595 | 528 | 75 | 80 | 120 | 270 | 13.5 | NNF 5024 | GGG-50 | 55.2 |
| 31.600.70.03 | | 36 | 600 | 520 | 85 | 105/60 | 80 | 190 | 19 | NNF 5016 | GGG-70 | 80 |
| 31.650.50.03 | SE.575.5022.14 | 27 | 650 | 575 | 75 | 80 | 110 | 280 | 14 | NNF 5022 | GGG-50 | 55.5 |
| 31.651.50.03 | SE.575.5024.14 | 27 | 650 | 575 | 72 | 80 | 120 | 280 | 14 | NNF 5024 | GGG-50 | 64 |
| 31.665.70.03 | | 38 | 665 | 560 | 100 | 110 | 100 | 210 | 20.5 | NNF 5020 | GGG-70 | 110 |
| 31.710.50.5022 | SE.630.5022.16 | 30 | 710 | 630 | 70 | 80 | 110 | 230 | 16 | NNF 5022 | GGG-50 | 66.5 |
| 31.710.50.5024 | SE.630.5024.17 | 32 | 710 | 630 | 70 | 80 | 120 | 230 | 17 | NNF 5024 | GGG-50 | 92 |
| 31.710.70.03 | | 40 | 710 | 630 | 85 | 110/80 | 120 | 260 | 21.5 | NNF 5024 | GGG-70 | 125 |
| 31.800.50.5022 | SE.710.5022.18 | 36 | 800 | 710 | 72 | 80 | 110 | 230 | 18 | NNF 5022 | GGG-50 | 86.5 |
| 31.800.50.5024 | SE.710.5024.20 | 38 | 800 | 710 | 72 | 80 | 120 | 230 | 20 | NNF 5024 | GGG-50 | 87 |
| 31.800.50.5026 | SE.710.5026.18 | 36 | 800 | 710 | 78 | 95 | 130 | 230 | 18 | NNF 5026 | GGG-50 | 94 |
| 31.810.60.03 | | 42 | 810 | 710 | 98 | 100 | 150 | 270 | 22.5 | NNF 5030 | GGG-60 | 190 |
| 31.860.50.5026B | SE.710.5026.20 | 38 | 860 | 760 | 85 | 95 | 130 | 300 | 20 | NNF 5026 | GGG-50 | 100 |
| 31.860.50.5030 | SE.710.5030.20 | 38 | 860 | 760 | 85 | 100 | 150 | 300 | 20 | NNF 5030 | GGG-50 | 103 |
| 31.890.50.5022 | SE.800.5022.16 | 30 | 890 | 800 | 70 | 80 | 110 | 270 | 16 | NNF 5022 | GGG-50 | 102.5 |
| 31.890.50.5024 | SE.800.5024.16 | 30 | 890 | 800 | 70 | 80 | 120 | 270 | 16 | NNF 5024 | GGG-50 | 103 |
| 31.890.50.5026 | SE.800.5026.20 | 38 | 890 | 800 | 75 | 95 | 130 | 270 | 20 | NNF 5026 | GGG-50 | 106 |
| 31.890.50.5030 | SE.800.5030.20 | 38 | 890 | 800 | 85 | 100 | 150 | 270 | 20 | NNF 5030 | GGG-50 | 128 |
| 31.920.60.03 | | 44 | 920 | 800 | 100 | 109 | 160 | 330 | 23.5 | NNF 5032 | GGG-60 | 215 |
| 31.1030.20.03 | | 48 | 1030 | 920 | 130 | 150 | 160 | 400 | 25.5 | NNF 5032 | GS20Mn5 | 380 |
| 31.1160.30.03 | | 52 | 1160 | 1020 | 140 | 160 | 180 | 460 | 27.5 | NNF 5036 | GS30Mn5 | 540 |

- Different shaft sizes possible.
- Groove may be adjusted to other wire rope diameters.