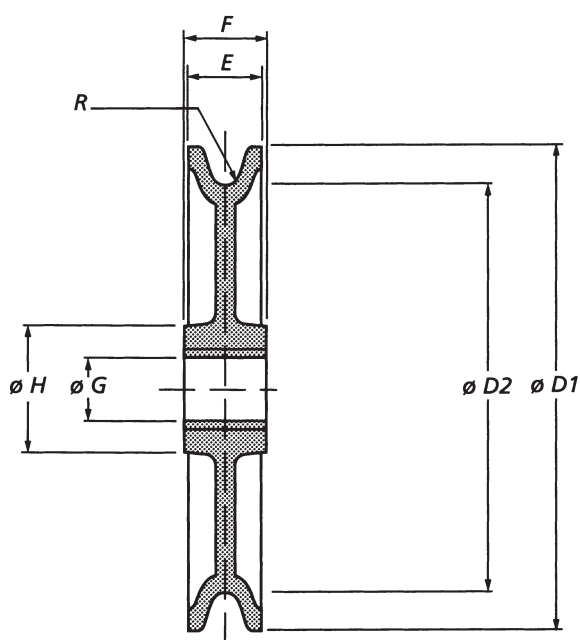


## Sheaves with bronze bushing



Stock No.	Wire (mm)	Dimensions (mm)							Bearing	Material	Weight (kg)
		ØD1	ØD2	E	F	ØG	ØH	R			
31.100.60.01	8	100	80	18	20	15	30	4.5	Sinter Bronze	GGG-60	0.6
31.125.60.01	10	125	105	23	27	22	55	5.5	Bronze	GGG-60	1.5
31.150.60.01	12	150	120	36	40	30	80	6.5	Bronze	GGG-60	3
31.200.60.01	14	200	165	36	40	30	80	7.5	Bronze	GGG-60	4.5
31.250.60.01	18	250	210	40	45	35	90	9.5	Bronze	GGG-60	8
31.300.60.01	20	300	255	45	50	40	100	11.0	Bronze	GGG-60	12
31.350.70.01	22	350	305	45	50	45	115	12.0	Bronze	GGG-70	17
31.400.70.01	24	400	345	55	60	50	130	13.0	Bronze	GGG-70	24
31.450.70.01	28	450	390	60	70	55	140	15.0	Bronze	GGG-70	36
31.500.70.01	30	500	430	70	80	60	150	16.0	Bronze	GGG-70	44
31.550.70.01	34	550	480	70	80	70	170	18.5	Bronze	GGG-70	55
31.600.70.01	36	600	520	85	105	80	190	19.5	Bronze	GGG-70	80
31.665.70.01	38	665	560	100	110	100	210	20.5	Bronze	GGG-70	110
31.710.70.01	40	710	630	85	110	120	260	21.5	Bronze	GGG-70	125
31.810.60.01	44	810	710	98	130	150	260	23.5	Bronze	GGG-60	170
31.920.60.01	44	920	800	130	150	150	320	22.0	Bronze	GGG-60	270
31.1030.20.01	48	1030	920	130	150	160	400	22.0	Bronze	GS20Mn5	380
31.1160.30.01	52	1160	1020	140	160	180	460	24.5	Bronze	GS30Mn5	540

- Different shaft sizes possible.
- Groove may be adjusted to other wire rope diameters.