


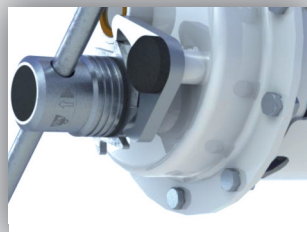
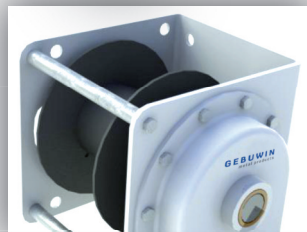
TL1000-1500 ..



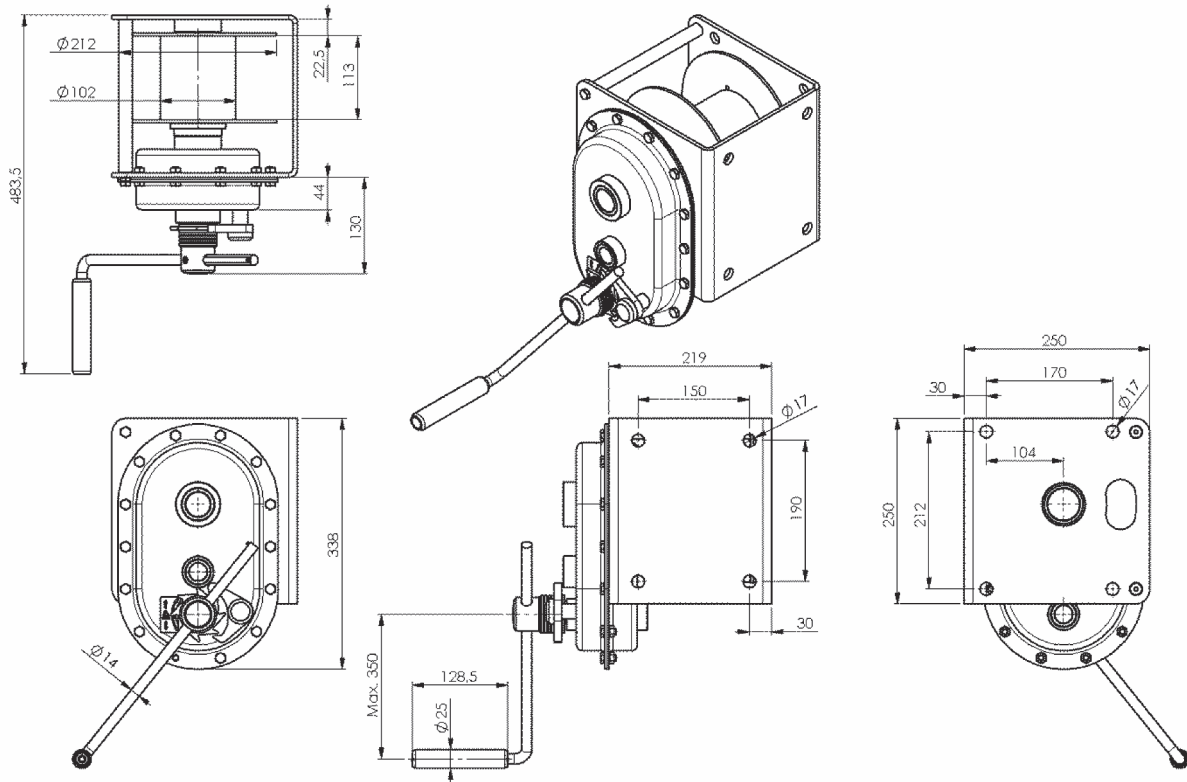
Spur gear winch

Hand driven spur gear winch:

- robust and safe hoisting winch
- static safety factor of 4
- load pressure brake with double ratchet system
- maintenance-free bearing
- adjustable crank from 250 to 325 mm, ergonomic plastic grip
- cable outlet to left, right, and top side
- standard paint finish 1 layer (60 - 80 Micron), GR, or stainless steel SS
- optional ATEX certified  II 3 GD T3, suitable for zone 2 and 22
type example TL1000 GR/Ex
- 2 cable compartments as extra option (2D instead of D), multi compartments upon request
- closed gearbox
- in compliance with EN 13157 and DIN 15020 and Ex types ATEX 95 (94/9/EG)



Technical specifications TL1000-1500 ..



Type	Mounting	Material	Remarks
TL1000 GR	Wall, 4x M12 class 8.8	Painted finish	RAL 7035 (grey)
TL1000 SS	Wall, 4x M12 class 8.8	Stainless steel	
TL1500 GR	Wall, 4x M12 class 8.8	Painted finish	RAL 7035 (grey)
TL1500 SS	Wall, 4x M12 class 8.8	Stainless steel	

Technical specifications	TL1000	TL1500
Capacity:		
1 st cable layer	1000 kg	1500 kg
Last cable layer	614 kg	927 kg
Crankforce 1 st cable layer	11 daN	12 daN
Hoisting length by one rotation of the crank, 1 st layer	20 mm	14 mm
Cable capacity	33 m	21 m
Diameter cable (EN 12383-4)	8 mm	10 mm
Min. breaking load cable	34 kN	51 kN
Own weight	27 kg	27,5 kg