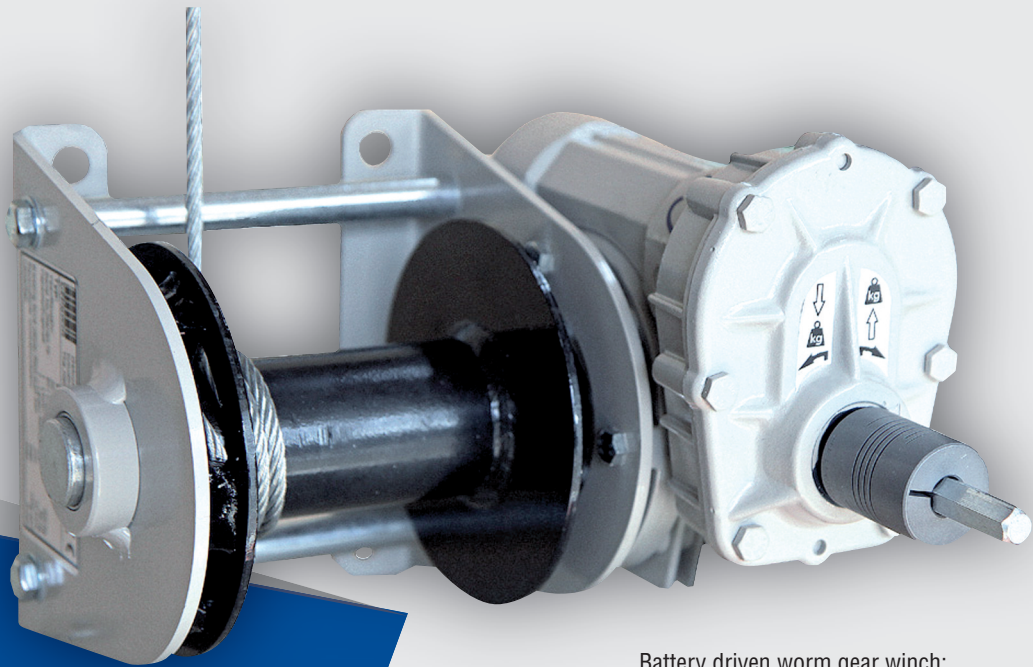


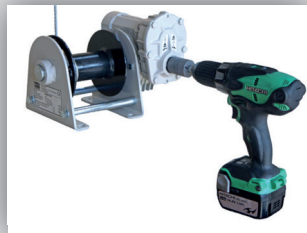
WA200 GR/D



# Battery driven worm gear winch

## Battery driven worm gear winch:

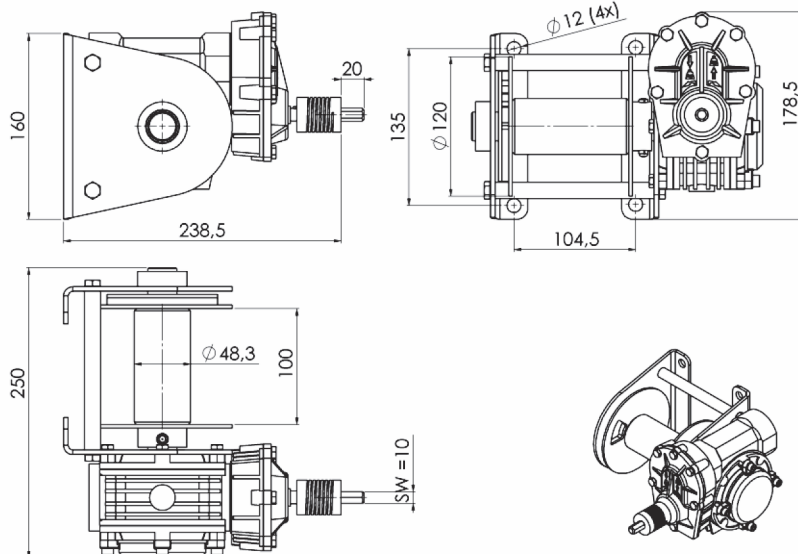
- robust and safe hoisting winch, for use in combination with a cordless drill
- static safety factor of 4
- flexible coupling attachment for cordless drill
- self braking worm gear system
- suitable for wall or floor (console) fixation
- suitable for short hoisting lengths
- maintenance free aluminum closed gear box
- painted cable drum and frame, 1 layer (60 - 80 Micron)
- easy fastening of cable
- in compliance with DIN 15020 and the EN13157



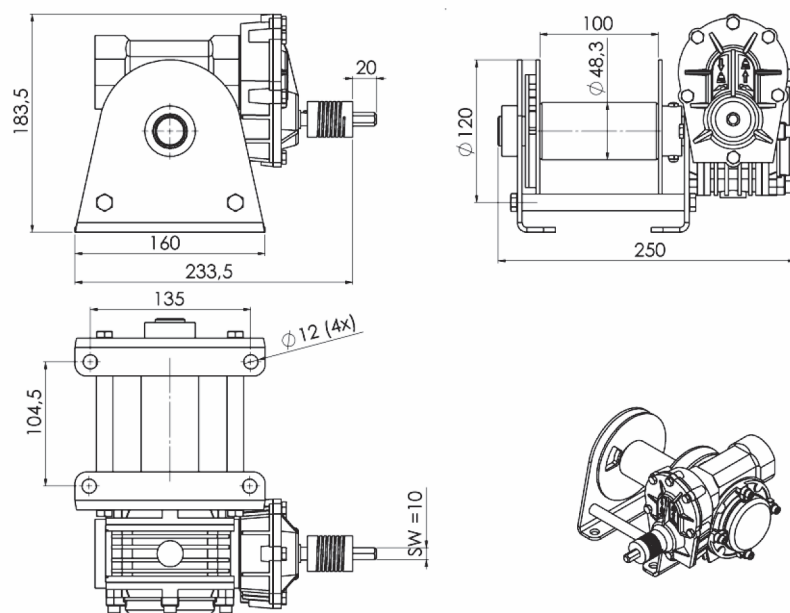
CE

# Technical specifications WA200 GR/D

Wall version



Floor version



Type	Mounting	Material	Remarks
WA200 GR / D	Floor or Wall 4x M10 class 8.8	Painted finish	RAL 7035 (grey)

Technical specifications	WA200
Capacity:	
1 <sup>st</sup> cable layer	200 kg
Last cable layer (7 <sup>th</sup> )	97 kg
Max. speed drill / driver	1400 rpm
Six-angled adapter	10 mm
Max. hoisting speed	800 mm/ min
Hoist length with 200 kg and cordless drill 14,4V - 3Ah	8 m
Cable capacity	50 m
Diameter cable	4 mm
Min. breaking load cable	9 kN
Own weight	7,8 kg