

**CRM XP**

4.5-150 ton  
Stroke 10-15 mm  
700 bar

**CRM XP**  
Series

## Extra flat, single-acting cylinders with spring return

**Ideal for narrow and confined areas**



- Flat cylinders with extremely reduced closed height, ideal for working in narrow spaces where it would be impossible to use other cylinders.
- Thanks to its small dimensions the cylinder is ideal for lifting machinery, alignment operations, releasing moulds and bridge crane maintenance.
- Spring-actuated return. Designed to operate in any position.
- Nitrox surface treatment to increase hardness and corrosion resistance.
- The stop ring not only guarantees maximum operator safety, preventing plunger over-stroke, but also outstanding eccentric load absorption.

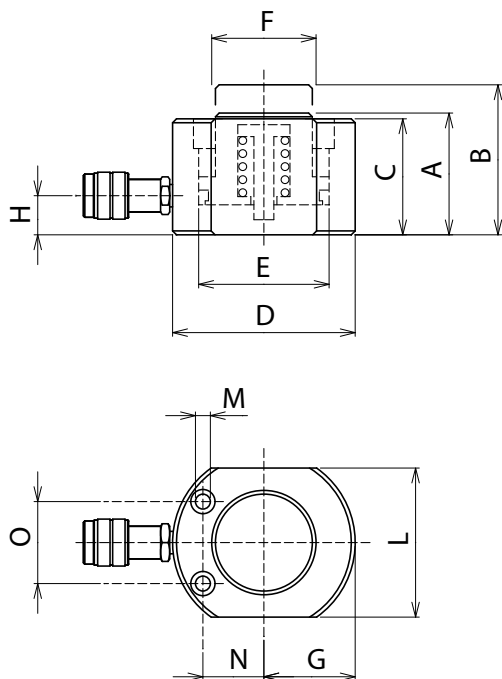
**SPECIAL CYLINDERS  
ON REQUEST**



*Extra flat cylinder, 50-ton capacity, 16 mm stroke, with built-in self-levelling head.*



*CRM 30/10 XP used to align machinery.*



CRM-XP



CAP/Force ton (kN)	STROKE mm	MODEL	SECTION cm <sup>2</sup>	VOLUME cm <sup>3</sup>	WEIGHT kg	DIMENSIONS in mm											
						A	B	C	D	E	F	O	H	M	N	G	L
<b>4.5</b> /43.1	6	CRM-5/6-XP	6.2	3.6	1	37	43	36	59	28	24	30	18	5.5	23	23.5	45
<b>4.5</b> /43.1	15	CRM-5/15-XP	6.2	9.2	1.2	46	61	45	59	28	24	30	18	5.5	23	23.5	45
<b>10</b> /111.3	10	CRM-10/10-XP	15.9	15.9	1.6	50	60	49	75	45	38	40	19	6.5	28	31.5	60
<b>20</b> /218.2	10	CRM-20/10-XP	31.2	31.2	3	53	63	52	101	63	50	50	19	11	40	43	86
<b>30</b> /309.3	10	CRM-30/10-XP	44.2	44.2	4.2	58	68	56	117	75	60	60	20	11	45	51	102
<b>50</b> /549.8	10	CRM-50/10-XP	78.5	78.5	7.4	64	74	62	147	100	80	70	22	13	58	66	130
<b>75</b> /791.7	10	CRM-75/10-XP	113.1	113.1	12	70	80	68	177	120	100	90	24	13	68	81	164
<b>100</b> /1077.6	10	CRM-100/10-XP	153.9	153.9	15.4	77	87	75	192	140	120	90	21	13	76	88.5	178
<b>150</b> /1496.8	14	CRM-150/14-XP	213.8	299.4	29	104	118	102	227	165	130	130	25	13	80	106	215

Cylinders with different strokes are also available.