

**FPH SERIES PORTABLE
HYDRAULIC PUMPS – WITH
ALUMINIUM RESERVOIR**

700 bar
Single-two speed
0.9/0.45 - 7.9/0.9 cm³ oil flow
5 to 25 l reservoir

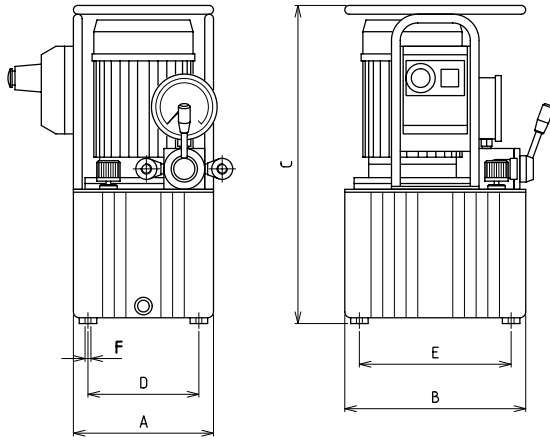
FPH
Series

**Portable
hydraulic pumps**

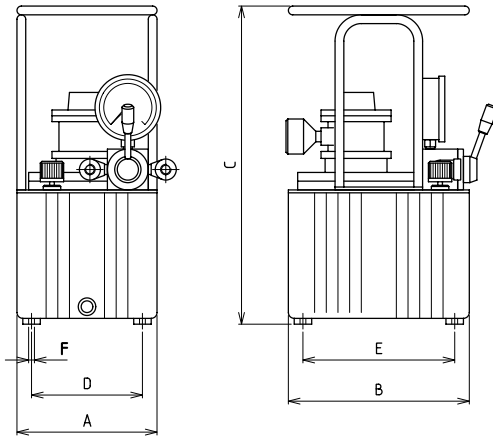
**Lightweight and
easy to handle.**



- The best solution when the hydraulic pump must be moved frequently or used in construction sites and in hard-to-reach positions.
- The protection cage makes it easier to move and lift the hydraulic pump while the special construction features and aluminium parts help reduce overall weight. Aluminium reservoir from 5 to 25 litres.
- Maximum versatility thanks to the three-phase and single-phase electric motors and pneumatic motors. With such a wide range of FPT single or two-speed pumps with different flow rates, it's easy to make the right choice for each application.
- 3 or 4-way manual, electric or pneumatic valves can also be mounted.
- Reduced maintenance. Designed to last.
- Hydraulic pumps are always supplied without couplers.



FPH-ME



FPH-MA



Electric control unit for lifting a roupelle.

| MODEL | PRESSURE | FLOW RATE | MOTOR | KW RPM | RESERVOIR CAPACITY | DIMENSIONS in mm | | | | | | WEIGHT |
|--------------|---|---|----------------------|-------------|-----------------------|------------------|-----|-----|-----|-----|----|--------|
| | 1 st -2 nd STAGE | 1 st -2 nd STAGE | | | | litres | A | B | C | D | E | |
| | bar | l/min | | | | | | | | | | |
| FPH 1 - ME4 | 100 / 700 | 0.9 / 0.45 | THREE-PHASE 4 POLES | 1.1 / 1410 | 10 | 240 | 310 | 547 | 170 | 250 | M8 | 35 |
| FPH 1 - ME41 | | 0.9 / 0.45 | SINGLE-PHASE 4 POLES | 1.1 / 1330 | | 240 | 310 | 547 | 170 | 250 | M8 | 40 |
| FPH 1 - ME2 | | 1.8 / 0.9 | THREE-PHASE 2 POLES | 1.1 / 2850 | | 240 | 310 | 547 | 170 | 250 | M8 | 35 |
| FPH 1 - ME21 | | 1.8 / 0.9 | SINGLE-PHASE 2 POLES | 1.5 / 2750 | | 240 | 310 | 547 | 170 | 250 | M8 | 40 |
| FPH 1 - MA | | 1.8 / 0.9 | PNEUMATIC | 2.6 / 3000 | | 240 | 310 | 547 | 170 | 250 | M8 | 36 |
| FPH 2 - ME4 | 700 | 0.9 | THREE-PHASE 4 POLES | 1.1 / 1390 | 10 | 240 | 310 | 547 | 170 | 250 | M8 | 38 |
| FPH 2 - ME41 | | 0.9 | SINGLE-PHASE 4 POLES | 1.5 / 1330 | | 240 | 310 | 547 | 170 | 250 | M8 | 43 |
| FPH 2 - ME2 | | 1.8 | THREE-PHASE 2 POLES | 2.2 / 2850 | | 240 | 310 | 547 | 170 | 250 | M8 | 40 |
| FPH 2 - ME21 | | 1.6 | SINGLE-PHASE 2 POLES | 2.2 / 2850 | | 240 | 310 | 547 | 170 | 250 | M8 | 45 |
| FPH 2 - MA | | 1.8 | PNEUMATIC | 2.6 / 3000 | | 240 | 310 | 547 | 170 | 250 | M8 | 36 |
| FPH 5 - ME4 | 70 / 700 | 2.5 / 0.9 | THREE-PHASE 4 POLES | 1.1 / 1390 | 10 | 240 | 310 | 547 | 170 | 250 | M8 | 38 |
| FPH 5 - ME41 | | 2.5 / 0.9 | SINGLE-PHASE 4 POLES | 1.5 / 1330 | | 240 | 310 | 547 | 170 | 250 | M8 | 43 |
| FPH 5 - ME2 | | 4.5 / 1.8 | THREE-PHASE 2 POLES | 2.2 / 2850 | | 240 | 310 | 547 | 170 | 250 | M8 | 40 |
| FPH 5 - ME21 | | 4.2 / 1.6 | SINGLE-PHASE 2 POLES | 2.2 / 2850 | | 240 | 310 | 547 | 170 | 250 | M8 | 45 |
| FPH 5 - MA | | 4.5 / 1.8 | PNEUMATIC | 2.6 / 3000 | | 240 | 310 | 547 | 170 | 250 | M8 | 36 |
| FPH 9 - ME4 | 70 / 700 | 3.7 / 0.45 | THREE-PHASE 4 POLES | 0.75 / 1410 | 10 | 240 | 310 | 547 | 170 | 250 | M8 | 37 |
| FPH 9 - ME41 | | 3.5 / 0.45 | SINGLE-PHASE 4 POLES | 1.1 / 1330 | | 240 | 310 | 547 | 170 | 250 | M8 | 41 |
| FPH 9 - ME2 | | 7.5 / 0.9 | THREE-PHASE 2 POLES | 1.1 / 2850 | | 240 | 310 | 547 | 170 | 250 | M8 | 37 |
| FPH 9 - ME21 | | 7.3 / 0.9 | SINGLE-PHASE 2 POLES | 1.5 / 2750 | | 240 | 310 | 547 | 170 | 250 | M8 | 41 |
| FPH 9 - MA | | 7.9 / 0.9 | PNEUMATIC | 2.6 / 3000 | | 240 | 310 | 547 | 170 | 250 | M8 | 36 |