

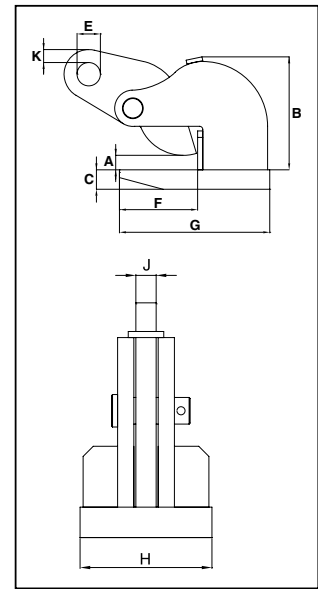


**IPHOZ**

The IPHOZ horizontal lifting clamp is to be used for lifting and transferring, in the horizontal position, of thin sheet and other materials that will sag or bend when lifted. These clamps must be used in pairs or more.

### For Horizontal Lifting and Transfer

- Available in capacities of .75 thru 25 metric tons.
- Wide variety of jaw openings available: 0° to 4.73”.
- Welded alloy steel body for strength and smaller size. Forged alloy, components where required.
- Equipped with handle for easy placement.
- Individually Proof Tested to 2 times the Working Load Limit with certification.
- Company name (CrosbyIP), logo, Working Load Limit and jaw opening permanently stamped on body.
- Each product is individually serialized, with the serial number and Proof Load test date stamped on body. User manual with test certificate is included with each clamp.
- Maintenance replacement parts are available.
- Manufactured by an ISO 9001 facility.
- All sizes are **RFID EQUIPPED**.



**Load Rated**

### Model IPHOZ: Jaw opening range 0 to 2.38”

Model	Working Load Limit (Per Pair) (t)*	IPHOZ Stock No.	Weight Each (lbs.)	Dimensions (in.)								
				Jaw A	B	C	E	F	G	H	J	K
IPHOZ	0.75	2705401	6.60	0 - 1.19	3.70	.63	.63	2.76	4.65	3.19	.47	.47
IPHOZ	1.5	2705402	12.1	0 - 1.75	5.24	.63	.87	4.92	7.56	3.94	.63	.47
IPHOZ	3	2705403	17.6	0 - 1.75	5.39	.79	1.02	4.92	7.87	4.72	.79	.39
IPHOZ	4.5	2705404	18.7	0 - 1.75	5.43	.98	1.18	4.96	8.66	4.72	.79	.39
<b>With larger jaw opening</b>												
IPHOZ	6	2705405	34.2	0 - 2.38	6.73	1.18	1.42	5.31	9.25	5.12	.79	.79
IPHOZ	9	2705406	45.2	0 - 2.38	8.31	1.18	1.69	6.54	10.87	6.30	.98	.79
IPHOZ	12	2705407	83.8	0 - 2.38	8.54	1.57	1.85	6.61	11.57	7.48	.98	.75
IPHOZ	15	2705408	83.8	0 - 2.38	8.66	1.57	1.85	7.20	12.48	9.84	.98	.87

\* Design Factor based on EN 13155 and ASME B30.20.

