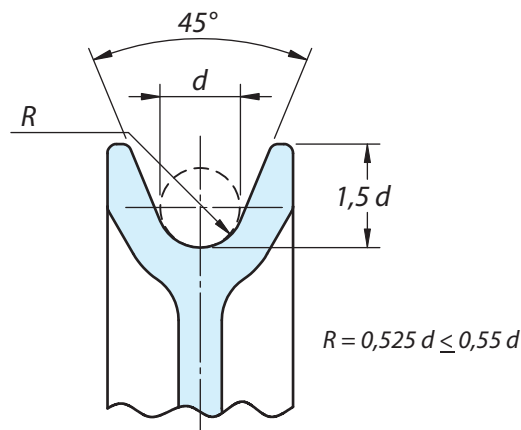


Groove radius according



Groove radius according NEN 3508

d = Wire Rope Diameter

R = Radius in Groove

d (mm)	R (mm)
6	3.2
7	3.2
8	4.2
9	4.8
10	5.5
11	6.0
12	6.5
13	7.0
14	7.5
15	8.0
16	8.5
17	9.0
18	9.5
19	10.0
20	10.5
21	11.5
22	12.0
23	12.5
24	13.0
25	13.5
26	14.0
27	14.5
28	15.0
29	15.5
30	16.0

d (mm)	R (mm)
31	16.5
32	17.0
33	17.5
34	18.0
35	18.5
36	19.0
37	19.5
38	20.0
39	20.5
40	21.0
41	22.0
42	22.5
43	23.0
44	23.5
45	24.0
46	24.5
47	25.0
48	25.5
49	26.0
50	26.5
51	27.0
52	27.5
53	28.0
54	29.0
55	29.5

d (mm)	R (mm)
56	30.0
57	30.5
58	31.0
59	31.5
60	32.0
61	32.5
62	33.0
63	33.5
64	34.0
65	34.5
66	35.0
67	35.5
68	36.0
69	36.5
70	37.0
71	37.5
72	38.0
73	38.5
74	39.0
75	39.5
76	40.5
77	41.0
78	41.5
79	42.0
80	42.5

d (mm)	R (mm)
81	43.0
82	43.5
83	44.0
84	44.5
85	45.0
86	45.5
87	46.0
88	46.5
89	47.0
90	47.5
91	48.0
92	49.0
93	49.5
94	50.0
95	50.5
96	51.0
97	51.5
98	52.0
99	52.5
100	53.0
101	53.5
102	54.0
104	55.0
106	56.0
108	57.0