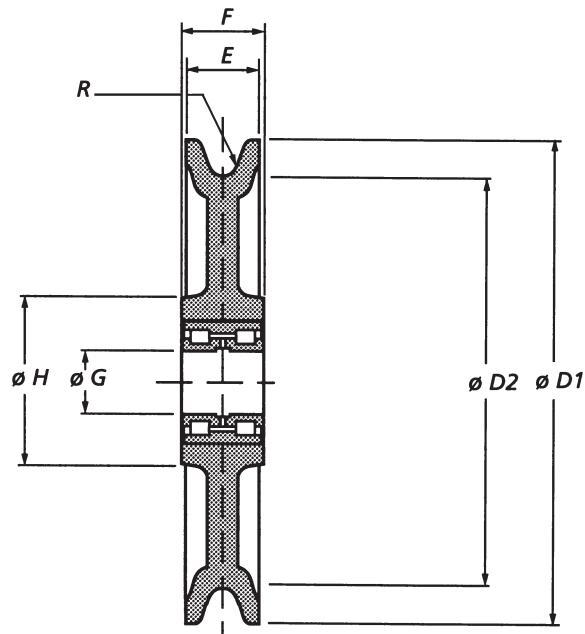


Sheaves with cylindrical roller bearings HL series



Stock No.	Wire (mm)	Dimensions (mm)							Groove profile	Bearing	Material	Weight (kg)
		ØD1	ØD2	E	F	ØG	ØH	R				
31.251.60.03	22	250	210	50	60	60	120	12.0	45°	NNF 5012	GGG-60	13
31.301.70.03	24	300	250	55	60	65	130	13.0	45°	NNF 5013	GGG-70	13
31.351.70.03	26	350	300	70	70	75	150	14.0	52°	NNF 5015	GGG-70	23
31.401.70.03	28	400	345	75	54	90	180	15.0	52°	NNF 5018	GGG-70	30
31.451.60.03	32	450	390	75	85	100	190	17.0	52°	NNF 5020	GGG-70	38
31.501.60.03	36	500	430	75	105	120	225	19.5	52°	NNF 5024	GGG-60	77
31.551.60.03	40	550	480	80	105	120	225	21.5	52°	NNF 5024	GGG-60	95

- Different shaft sizes possible.
- Groove may be adjusted to other wire rope diameters.
- Groove profile may be altered.