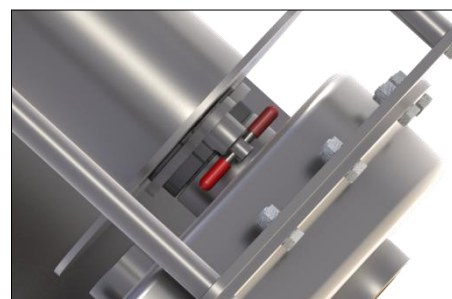
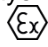


Spur gear winch TC1000-1500 ../FS

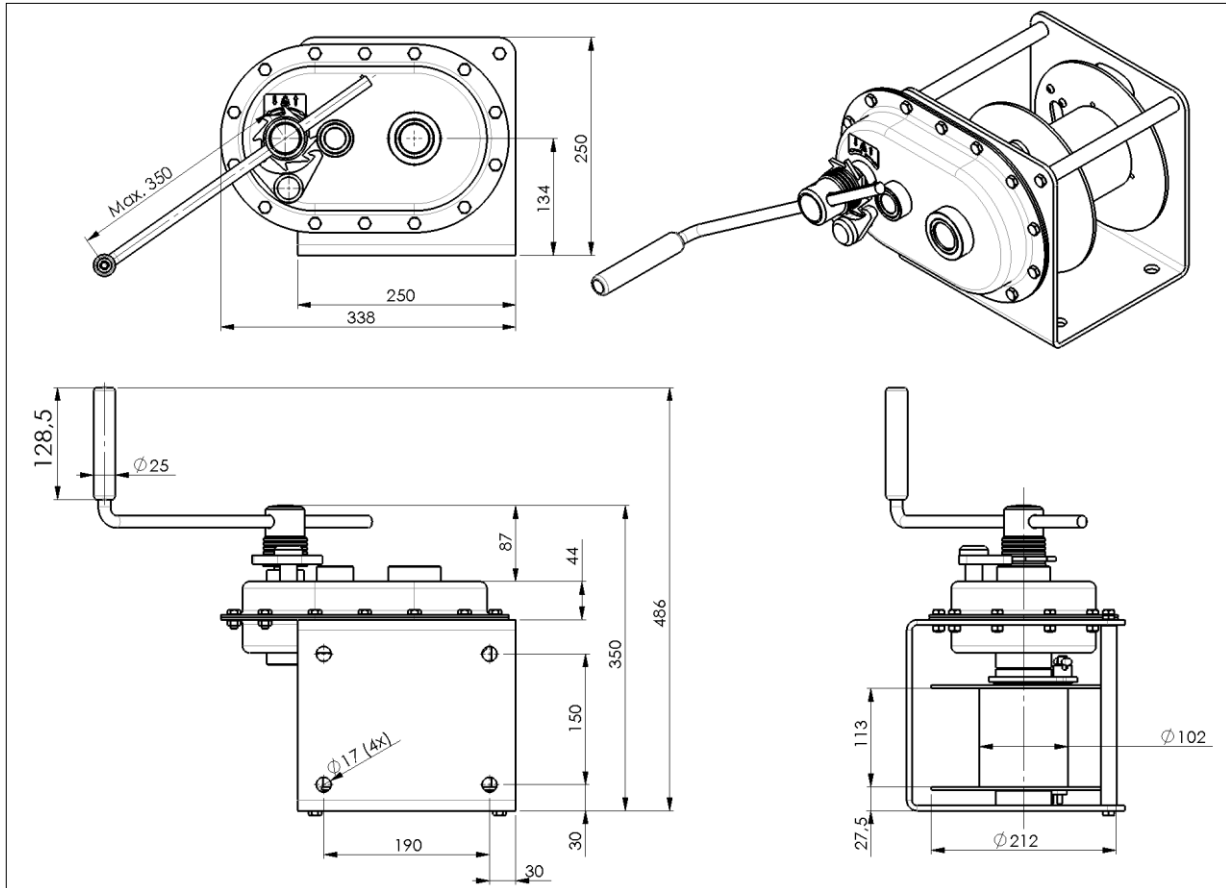


Hand driven spur gear winch:

- robust and safe hoisting and pulling (approx. 2.5x hoisting cap.) winch
- static safety factor of 4
- load pressure brake with double ratchet system
- maintenance-free bearing
- adjustable crank from 250 to 350 mm, ergonomic plastic grip
- cable outlet to left, right, and top side
- standard paint finish 1 layer (60-80 Micron) GR, or stainless steel SS
- optional ATEX certified  II 3 GD T3, suitable for zone 2 and 22.
type example TC1000 GR/FS/Ex
- with free spool FS
- 2 cable compartments as extra option (2D instead of D), multi compartments upon request
- closed gearbox in compliance with EN 13157 and DIN 15020

Technical specifications

TC1000-1500 ../FS



TYPE

Type	Mounting	Material	Remarks
TC1000 GR/FS	Console, 4x M12 class 8.8	Painted finish	RAL 7044 (silk grey)
TC1000 SS/FS	Console, 4x M12 class 8.8	Stainless steel	
TC1500 GR/FS	Console, 4x M12 class 8.8	Painted finish	RAL 7044 (silk grey)
TC1500 SS/FS	Console, 4x M12 class 8.8	Stainless steel	

SPECIFICATIONS

Technical specifications	TC1000	TC1500
Capacity:		
1 st cable layer	1000 kg	1500 kg
last cable layer	587 kg	844 kg
Crankforce 1 st cable layer	11 daN	12 daN
Hoisting length by one rotation of the crank, 1 st layer	20 mm	14 mm
Cable capacity	25 m	21 m
Diameter cable	9 mm	10 mm
Min. breaking load cable	51 kN	63 kN
Own weight	27 kg	27,5 kg