

TL150 ZW (basket winch)



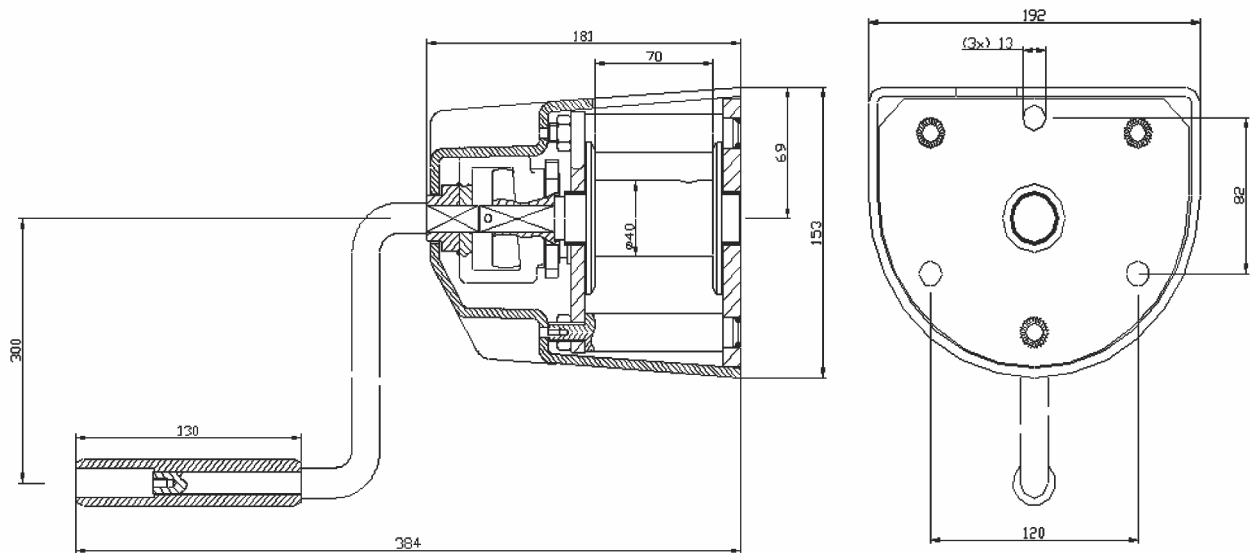
Spur gear winch



Hand driven basketball winch:

- robust and safe hoisting winch
- developed to handle basketball back boards
- for indoor use only
- load pressure brake with double ratchet system
- safety crank, no blow-back
- detachable crank, no tools needed
- no protruding parts
- casing is made of blow resistant ABS
- painted inner works
- complies to European CE regulations

Technical specifications TL150 ZW basketball winch



Type	Mounting	Material	Remarks
TL150 ZW basketball winch	Wall (3 mounting holes)	Casing is made of blow resistant ABS (black)	Indoor use only

Technical specifications	TL150
Capacity:	
1 st cable layer	150 kg
Crankforce 1 st cable position	ca. 8 daN
Hoisting length by one rotation of the crank, 1 st layer	125 mm
Cable capacity	Ca. 10 m (5 layers)
Diameter cable (EN 12383-4)	4 mm
Min. breaking load cable	9 kN
Own weight (including crank)	6 kg