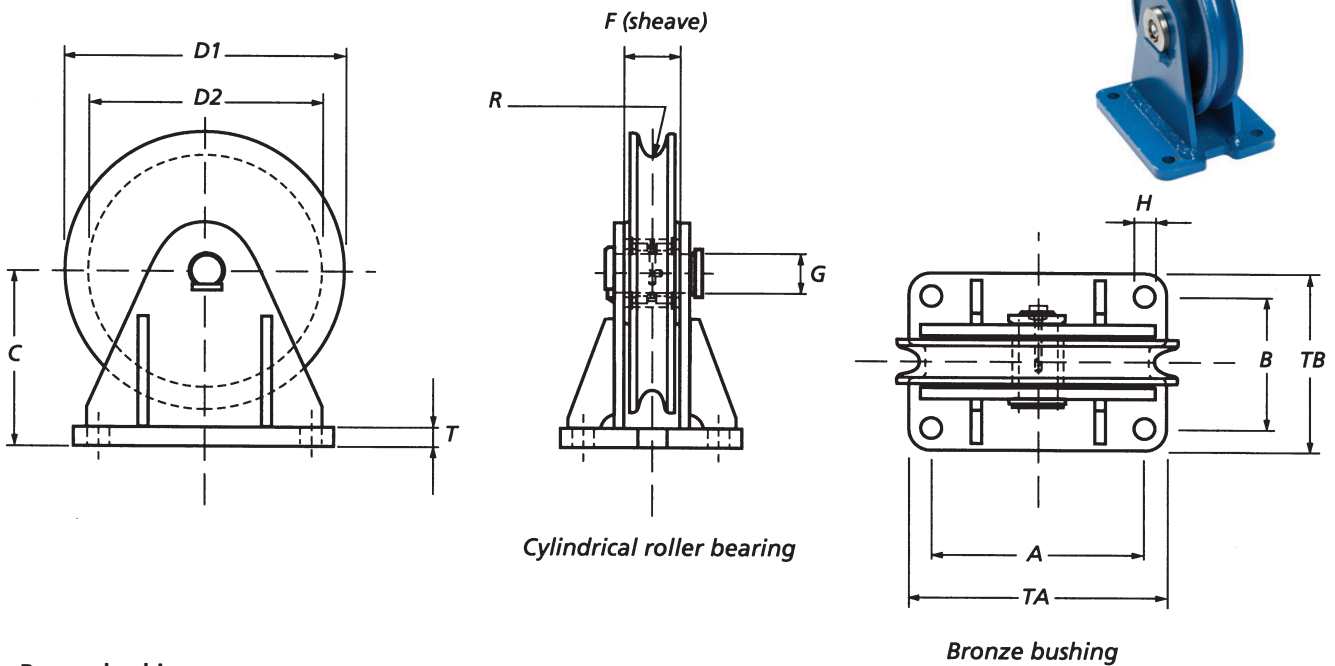


Vertical directional blocks



Bronze bushing

Stock No.	WLL (t)	Wire size up to (mm)	Bearing	Dimensions (mm)											Weight (kg)	
				D1	D2	A	B	C	F	G	H	T	R	TA		TB
25.125.01.10	1	10	Bronze	125	105	90	70	83	27	22	9	8	5.5	115	95	3
25.150.02.10	2	12	Bronze	150	120	115	85	95	40	30	11	10	6.5	140	110	5
25.200.03.10	3	14	Bronze	200	165	150	95	122	40	30	13.5	12	7.5	180	125	8
25.250.04.10	4	18	Bronze	250	210	190	120	155	45	35	17.5	15	9.5	230	160	17
25.300.06.10	6	20	Bronze	300	255	220	150	185	50	40	22	20	11	270	200	26
25.350.08.10	8	22	Bronze	350	305	270	160	220	50	45	26	25	12	330	220	41
25.400.10.10	10	24	Bronze	400	345	300	190	255	60	50	32	30	13	370	260	64

Minimum Ultimate Strength = 4 x WLL.

Ball or cylindrical roller bearing

Stock No.	WLL (t)	Wire size up to (mm)	Bearing	Dimensions (mm)											Weight (kg)	
				D1	D2	A	B	C	F	G	H	T	R	TA		TB
25.125.01.11	1	10	2 x Ball	125	105	90	70	83	27	22	9	8	5.5	115	95	3
25.150.02.11	2	12	2 x Ball	150	120	115	85	95	40	30	11	10	6.5	140	110	5
25.200.03.11	3	14	2 x Ball	200	165	150	95	122	40	30	13.5	12	7.5	180	125	8
25.250.04.11	4	18	Straight	250	210	190	120	155	45	35	17.5	15	9.5	230	160	17
25.300.06.11	6	20	Straight	300	255	220	150	185	50	40	22	20	11	270	200	26
25.350.08.11	8	22	Straight	350	305	270	160	220	50	45	26	25	12	330	220	41
25.400.10.11	10	24	Straight	400	345	300	190	255	60	50	32	30	13	370	260	64

Minimum Ultimate Strength = 4 x WLL.

WLL= Working Load Limit.

- No test certificate possible.
- Groove in sheave may be adjusted to other wire rope diameters.