

AM5000



Winch power tool

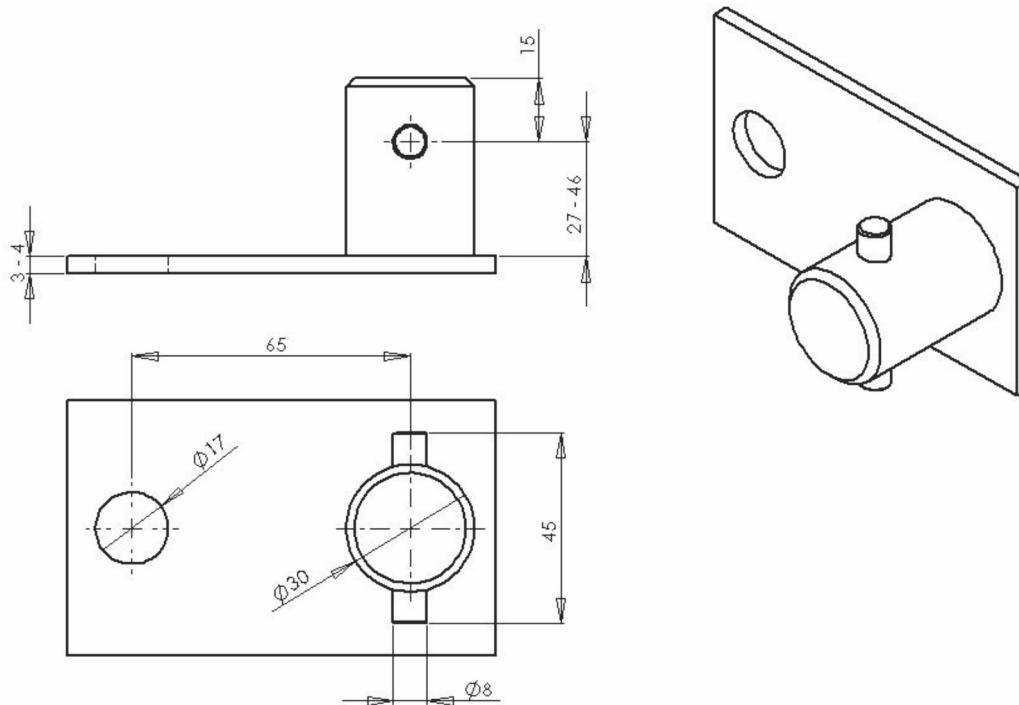
Winch power tool:

- robust air motor
- easy to operate
- including filter and hose fitting
- painted air motor and zinc plated adapter system
- suitable for use on the following models: WW1000, WW1500, WW2000, WW3000, WW4000, WW5000
- because of a swift and easy connection system this unit is well equipped to serve various winches in one plant



Technical specifications AM5000

DIMENSION WINCH SHAFT AND HOLE



Technical specifications	AM5000
Suitable for Gebuwinch WW1000, WW1500, WW2000, WW3000, WW4000, WW5000, WW7500	
Power	1200 W
Air pressure	Max. 6 - 8 bar
Starting torque	130 Nm
Free speed	140 rpm
Speed at Max. power (60 - 90 Nm)	60 rpm
Min. fitting diameter (inside)	10,4 mm
Min. hose diameter (inside)	15 mm
Air consumption at max power	2100 l/min
Dimension L x H x B	545 x 76 x 277 mm
Own weight	5 kg