

**CRM**

Up to 100 ton
Stroke up to 360 mm
700 bar

CRM
Series

Single-acting cylinders with spring return

The most versatile cylinder for various utilizations

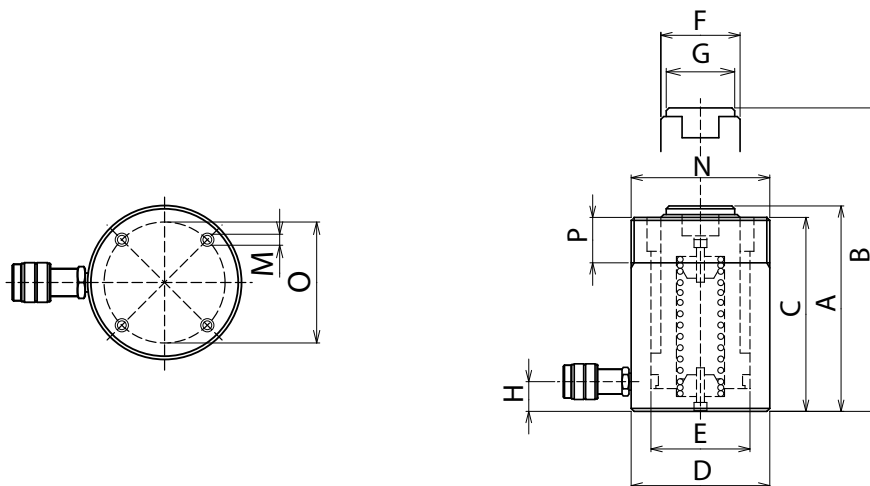


- Hydraulic cylinders for various utilizations, extremely versatile and suitable for diverse fields of applications.
- Spring-actuated return.
- The guide and stop ring not only guarantees maximum operator safety, preventing plunger over-stroke, but also outstanding eccentric load absorption.
- The wiper reduces contamination between ring and rod.
- High-strength removable head.
- Drilled and threaded base for additional attachments.
- Models weighing more than 20 kg are equipped with a handle or lifting eyebolts to make them easier to carry.

**SPECIAL CYLINDERS
ON REQUEST**



Tensioning Operations



CRM

CAP/Force ton (kN)	STROKE mm	MODEL	SECTION cm ²	VOLUME cm ³	WEIGHT kg	DIMENSIONS in mm											
						A	B	C	D	E	F	G	H	O	M	N	P
5 /49.5	25	CRM-5/25	7.1	17.7	1	110	135	108	40	30	25	24	20	20	2xM6	M40x1.5	20
	50	CRM-5/50	7.1	35.4	1.2	135	185	133	40	30	25	24	20	20	2xM6	M40x1.5	20
	75	CRM-5/75	7.1	53.3	1.4	160	235	158	40	30	25	24	20	20	2xM6	M40x1.5	20
	100	CRM-5/100	7.1	70.7	1.6	185	285	183	40	30	25	24	20	20	2xM6	M40x1.5	20
	125	CRM-5/125	7.1	88.4	1.8	210	335	208	40	30	25	24	20	20	2xM6	M40x1.5	20
	150	CRM-5/150	7.1	106.5	2	235	385	233	40	30	25	24	20	20	2xM6	M40x1.5	20
	175	CRM-5/175	7.1	123.7	2.2	260	435	258	40	30	25	24	20	20	2xM6	M40x1.5	20
	200	CRM-5/200	7.1	141.4	2.3	285	485	283	40	30	25	24	20	20	2xM6	M40x1.5	20
230	CRM-5/230	7.1	162.6	2.6	315	545	313	40	30	25	24	20	20	2xM6	M40x1.5	20	
10 /111.3	25	CRM-10/25	15.9	39.8	1.9	91	116	90	60	45	38	37	22	25	2xM8	M60x1.5	32
	50	CRM-10/50	15.9	79.6	2.4	121	171	115	60	45	38	37	22	25	2xM8	M60x1.5	32
	100	CRM-10/100	15.9	159.2	3.6	188	288	182	60	45	38	37	22	25	2xM8	M60x1.5	32
	160	CRM-10/160	15.9	254.5	4.7	248	408	242	60	45	38	37	22	25	2xM8	M60x1.5	32
	200	CRM-10/200	15.9	318.1	5.3	288	488	282	60	45	38	37	22	25	2xM8	M60x1.5	32
	260	CRM-10/260	15.9	413.5	6.4	348	608	342	60	45	38	37	22	25	2xM8	M60x1.5	32
	300	CRM-10/300	15.9	477.1	7.3	400	700	394	60	45	38	37	22	25	2xM8	M60x1.5	32
	355	CRM-10/355	15.9	564.6	9.2	498	853	492	60	45	38	37	22	25	2xM8	M60x1.5	32
15 /137.4	50	CRM-15/50	19.6	98.2	4.2	149	199	141	70	50	42	41	22	30	2xM8	M70x2	32
	100	CRM-15/100	19.6	196.4	5.3	199	299	191	70	50	42	41	22	30	2xM8	M70x2	32
	160	CRM-15/160	19.6	314.2	7.2	272	432	264	70	50	42	41	22	30	2xM8	M70x2	32
	260	CRM-15/260	19.6	510.5	9.5	372	632	364	70	50	42	41	22	30	2xM8	M70x2	32
	360	CRM-15/360	19.6	706.9	12.4	490	850	482	70	50	42	41	22	30	2xM8	M70x2	32
25 /232.3	25	CRM-25/25	33.2	83	6.9	139	164	130	92	65	55	53	22	37	2xM10	M92x2	37
	50	CRM-25/50	33.2	165.9	7.9	164	214	155	92	65	55	53	22	37	2xM10	M92x2	37
	100	CRM-25/100	33.2	331.8	9.8	214	314	205	92	65	55	53	22	37	2xM10	M92x2	37
	160	CRM-25/160	33.2	530.9	12.1	274	434	265	92	65	55	53	22	37	2xM10	M92x2	37
	200	CRM-25/200	33.2	663.7	13.7	314	514	305	92	65	55	53	22	37	2xM10	M92x2	37
	260	CRM-25/260	33.2	862.8	16	374	634	365	92	65	55	53	22	37	2xM10	M92x2	37
	300	CRM-25/300	33.2	995.5	18.4	430	730	421	92	65	55	53	22	37	2xM10	M92x2	37
	360	CRM-25/360	33.2	1194.6	21	495	855	486	92	65	55	53	22	37	2xM10	M92x2	37
30 /309.3	100	CRM-30/100	44.2	441.8	15.2	223	323	212	112	75	60	58	27	50	4xM10	M112x2	42
	200	CRM-30/200	44.2	883.6	22.2	340	540	329	112	75	60	58	27	50	4xM10	M112x2	42
50 /549.8	50	CRM-50/50	78.5	392.7	19	172	222	160	140	100	80	79	32	70	2xM12	M140x3	45
	100	CRM-50/100	78.5	785.4	23.3	222	322	210	140	100	80	79	32	70	2xM12	M140x3	45
	160	CRM-50/160	78.5	1256.6	28.5	282	442	270	140	100	80	79	32	70	2xM12	M140x3	45
	330	CRM-50/330	78.5	2591.8	45.2	470	800	458	140	100	80	79	32	70	2xM12	M140x3	45
100 /1077.6	100	CRM-100/100	153.9	1539.4	51	260	360	245	190	140	110	107	35	100	4xM12	M190x4	52
	170	CRM-100/170	153.9	2616.9	62	330	500	315	190	140	110	107	35	100	4xM12	M190x4	52
	260	CRM-100/260	153.9	4002.4	81	440	700	425	190	140	110	107	35	100	4xM12	M190x4	52

Cylinders with different strokes are also available.