



CSE

5-600 ton
Stroke 15-300 mm
700 bar

CSE
Series

Single-acting cylinders with load return



- These compact, single-acting cylinders with load return are designed for industrial maintenance, civil shipbuilding and building industries in addition to the structural steelwork sectors.
- The stop ring not only guarantees maximum operator safety, preventing plunger over-stroke, but also outstanding eccentric load absorption.
- The cylinders can withstand eccentric loads up to 5% of the rated capacity.
- Models weighing more than 20 kg are equipped with a handle or lifting eyebolts to make them easier to carry.

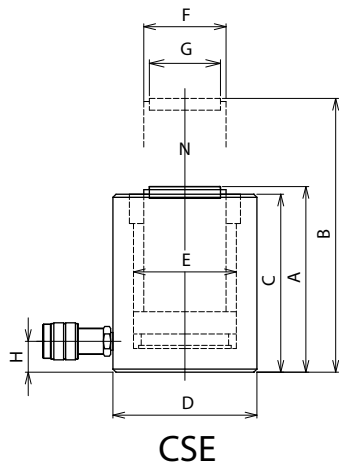
**SPECIAL CYLINDERS
ON REQUEST**



CSE 1000/200 GS cylinders with load return and tilting plate for bridge section levelling.



CSE 50/100 for lifting machinery.



CSE

CAP/Force ton (kN)	STROKE mm	MODEL	SECTION cm ²	VOLUME cm ³	WEIGHT kg	DIMENSIONS in mm							
						A	B	C	D	E	F	G	H
5 /44.7	15	CSE-5/15-F	6.4	9.6	1	45	60	44	60	28.5	24	-	19
	80	CSE-5/80-F	6.4	51	2.4	125	205	124	60	28.5	24	-	19
10 /111.3	25	CSE-10/25	15.9	39.8	1.6	77	102	71	60	45	38	30	20
	50	CSE-10/50	15.9	79.5	2	102	152	96	60	45	38	30	20
20 /218.2	25	CSE-20/25	31.2	77.9	3.9	84	109	79	92	63	50	40	21
	50	CSE-20/50	31.2	155.9	5	109	159	104	92	63	50	40	21
30 /309.3	25	CSE-30/25	44.2	110.4	6	92	117	86	108	75	60	52	24
	50	CSE-30/50	44.2	220.9	7.4	117	167	111	108	75	60	52	24
	100	CSE-30/100	44.2	441.8	10.4	167	267	161	108	75	60	52	24
50 /549.8	25	CSE-50/25	78.5	196.3	11.5	104	129	98	140	100	80	72	30
	50	CSE-50/50	78.5	392.7	14	129	179	123	140	100	80	72	30
	100	CSE-50/100	78.5	785.4	18.9	179	279	173	140	100	80	72	30
	150	CSE-50/150	78.5	1178.1	24.8	237	387	231	140	100	80	72	30
100 /1077.6	25	CSE-100/25	153.9	384.8	24	117	142	111	190	140	118	92	34
	50	CSE-100/50	153.9	769.7	29	142	192	136	190	140	118	92	34
	100	CSE-100/100	153.9	1539.4	38	192	292	186	190	140	118	92	34
	150	CSE-100/150	153.9	2309.1	52	261	411	255	190	140	118	92	34
	200	CSE-100/200	153.9	3078.8	61	311	511	305	190	140	118	92	34
150 /1407.4	25	CSE-150/25	201.1	502.7	40	145	170	139	218	160	130	110	37
	50	CSE-150/50	201.1	1005.3	46	170	220	164	218	160	130	110	37
	100	CSE-150/100	201.1	2010.6	58	220	320	214	218	160	130	110	37
	150	CSE-150/150	201.1	3015.9	71	274	424	268	218	160	130	110	37
	200	CSE-150/200	201.1	4021.2	90	347	547	341	218	160	130	110	37
	250	CSE-150/250	201.1	5026.5	106	413	663	407	218	160	130	110	43
200 /1984.7	25	CSE-200/25	283.5	708.8	59	167	192	161	258	190	150	138	47
	50	CSE-200/50	283.5	1417.6	67	192	242	186	258	190	150	138	47
	100	CSE-200/100	283.5	2835.3	82	242	342	236	258	190	150	138	47
	150	CSE-200/150	283.5	4252.9	96	292	442	286	258	190	150	138	47
	200	CSE-200/200	283.5	5670.6	117	357	557	351	258	190	150	138	47
	250	CSE-200/250	283.5	7088.2	139	427	677	421	258	190	150	138	52
250 /2424.5	50	CSE-250/50	346.4	1731.8	111	228	278	222	290	210	170	148	52
	150	CSE-250/150	346.4	5195.4	154	328	478	322	290	210	170	148	52
	250	CSE-250/250	346.4	8659	206	447	697	441	290	210	170	148	52
300 /2908.3	50	CSE-300/50	415.5	2077.4	122	225	275	218	308	230	180	158	57
	150	CSE-300/150	415.5	6232.1	168	325	475	318	308	230	180	158	57
	250	CSE-300/250	415.5	10386.9	222	440	690	433	308	230	180	158	57
400 /4007.9	50	CSE-400/50	572.6	2862.8	193	250	300	243	365	270	220	196	67
	150	CSE-400/150	572.6	8588.3	270	362	512	355	365	270	220	196	67
	250	CSE-400/250	572.6	14313.9	337	462	712	455	365	270	220	196	67
500 /4948	50	CSE-500/50	706.9	3534.3	255	274	324	267	400	300	240	214	72
	150	CSE-500/150	706.9	10602.9	333	374	524	367	400	300	240	214	72
	250	CSE-500/250	706.9	17671.5	429	492	742	485	400	300	240	214	72
600 /5987.1	50	CSE-600/50	855.3	4276.5	325	287	337	280	440	330	270	244	82
	150	CSE-600/150	855.3	12829.5	422	387	537	380	440	330	270	244	82
	250	CSE-600/250	855.3	21382.5	540	505	755	498	440	330	270	244	82

Cylinders with higher tonnage and different strokes are also available.