

FPT SERIES HYDRAULIC PUMPS WITH STEEL RESERVOIR FOR FIXED INSTALLATIONS

700 bar
Single-two speed
0.9/0.45 - 7.9/0.9 cm³ oil flow
5 to 25 l reservoir

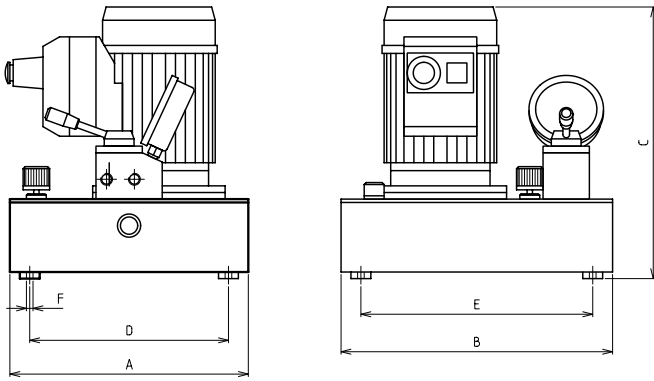
FPT
Series

Hydraulic pumps for fixed installations

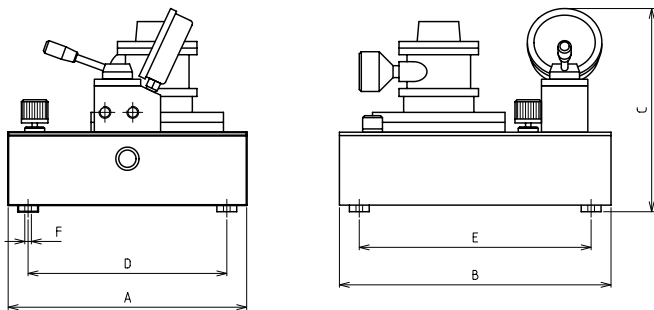
Strong and reliable.



- The FPT high-pressure hydraulic pumps, for heavy applications, make it easier to find the right solution for specific needs to operate hydraulic cylinders and equipment.
- Maximum versatility thanks to the three-phase and single-phase electric motors and pneumatic motors.
- Wide range of FPT single or two-speed pumps with different flow rates, for the best choice for each application.
- Designed for reduced maintenance and maximum service life and reliability.
- Equipped with a tough and strong steel reservoir (5 to 60 litres).
- 3 or 4-way manual, electric or pneumatic valves can also be mounted.
- Pressure control valve as standard equipment in the FPT model.
- Hydraulic pumps are always supplied without couplers.



FPT-ME



FPT-MA



Hydraulic pump with solenoid valve and 20 l tank.

MODEL	PRESSURE	FLOW RATE	MOTOR	KW RPM	RESERVOIR CAPACITY	DIMENSIONS in mm						WEIGHT
	1 st -2 nd STAGE	1 st -2 nd STAGE				litres	A	B	C	D	E	
FPT 1 - ME4	100 / 700	0.9 / 0.45	THREE-PHASE 4 POLES	1.1 / 1410	10	360	410	410	300	350	M8	46
FPT 1 - ME41		0.9 / 0.45	SINGLE-PHASE 4 POLES	1.1 / 1330		360	410	410	300	350	M8	53
FPT 1 - ME2		1.8 / 0.9	THREE-PHASE 2 POLES	1.1 / 2850		360	410	410	300	350	M8	46
FPT 1 - ME21		1.8 / 0.9	SINGLE-PHASE 2 POLES	1.5 / 2750		360	410	410	300	350	M8	53
FPT 1 - MA		1.8 / 0.9	PNEUMATIC	2.6 / 3000		360	410	310	300	350	M8	47
FPT 2 - ME4	700	0.9	THREE-PHASE 4 POLES	1.1 / 1390	10	360	410	410	300	350	M8	50
FPT 2 - ME41		0.9	SINGLE-PHASE 4 POLES	1.5 / 1330		360	410	410	300	350	M8	57
FPT 2 - ME2		1.8	THREE-PHASE 2 POLES	2.2 / 2850		360	410	410	300	350	M8	52
FPT 2 - ME21		1.6	SINGLE-PHASE 2 POLES	2.2 / 2850		360	410	410	300	350	M8	59
FPT 2 - MA		1.8	PNEUMATIC	2.6 / 3000		360	410	310	300	350	M8	47
FPT 5 - ME4	70 / 700	2.5 / 0.9	THREE-PHASE 4 POLES	1.1 / 1390	10	360	410	410	300	350	M8	50
FPT 5 - ME41		2.5 / 0.9	SINGLE-PHASE 4 POLES	1.5 / 1330		360	410	410	300	350	M8	57
FPT 5 - ME2		4.5 / 1.8	THREE-PHASE 2 POLES	2.2 / 2850		360	410	410	300	350	M8	52
FPT 5 - ME21		4.2 / 1.6	SINGLE-PHASE 2 POLES	2.2 / 2850		360	410	410	300	350	M8	59
FPT 5 - MA		4.5 / 1.8	PNEUMATIC	2.6 / 3000		360	410	310	300	350	M8	47
FPT 9 - ME4	70 / 700	3.7 / 0.45	THREE-PHASE 4 POLES	0.75 / 1410	10	360	410	410	300	350	M8	47
FPT 9 - ME41		3.5 / 0.45	SINGLE-PHASE 4 POLES	1.1 / 1330		360	410	410	300	350	M8	54
FPT 9 - ME2		7.5 / 0.9	THREE-PHASE 2 POLES	1.1 / 2850		360	410	410	300	350	M8	47
FPT 9 - ME21		7.3 / 0.9	SINGLE-PHASE 2 POLES	1.5 / 2750		360	410	410	300	350	M8	54
FPT 9 - MA		7.9 / 0.9	PNEUMATIC	2.6 / 3000		360	410	310	300	350	M8	48