

PDSA

700 bar
17.5 / 2.7 cm³ oil flow
1.6 - 8 l reservoir

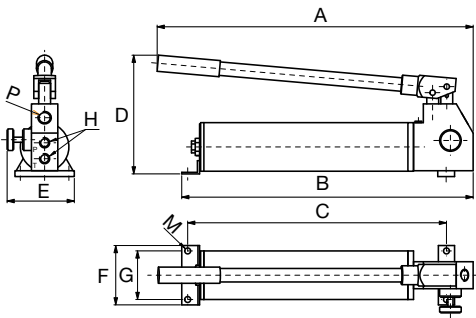
PDSA
Series

Two-speed hand pumps

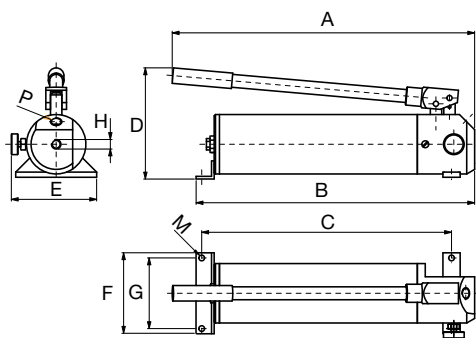


Hand pump for placing structural steelwork on a jig.

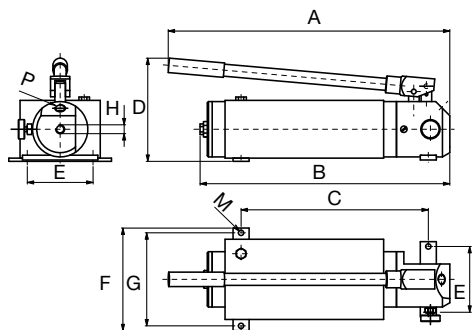
- Handy and easy-to-use pumps with high oil flow rates to operate a wide range of hydraulic cylinders or tools.
- Two-speed pumps to guarantee a high flow rate at low pressure during load approach operations which as a consequence makes the operator's work easier.
- Lightweight and compact with aluminium head and reservoirs (PDSA 20 – PDSA 21), versions are available with larger steel-plated reservoirs.
- Strong and functional pumps that require minimum maintenance.
- Equipped with an internal safety valve calibrated to maximum operating pressure.
- A pressure gauge can be mounted directly on the pump.
- Non-conducting handle for maximum operator safety.



PDSA-21



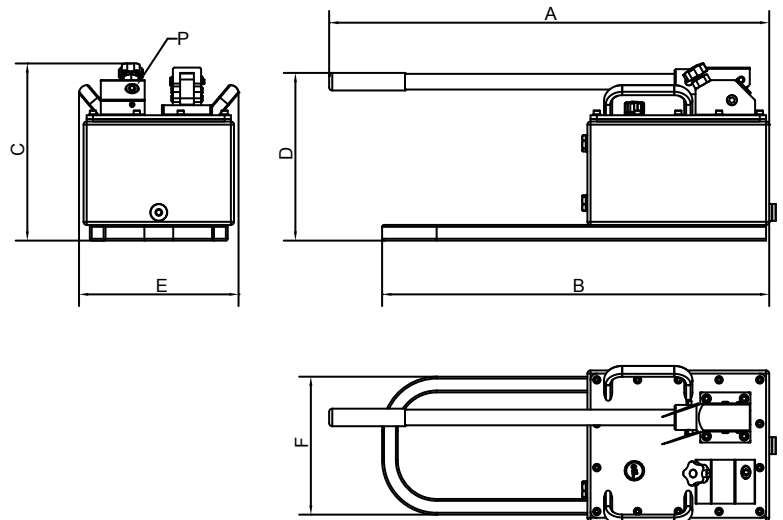
PDSA-20



PDS-20-L4/L8



Compact cylinders F.P.T. model - CRM50/50C controlled by two-speed PDSA21 hand pump to level a structure



PDS-120-SE

MODEL	PRESSURE	OIL FLOW	RESERVOIR CAPACITY	USABLE OIL	DIMENSIONS in mm										WEIGHT
	1 ST /2 ND STAGE	1 ST /2 ND STAGE			litres	litres	A	B	C	D	E	F	G	H	
PDSA - 21	35/700	17.5/2.7	1.6	1.2	590	540	485	190	125	110	90	3/8" NPT *	11	G1/2"	6.5
PDSA - 20	35/700	17.5/2.7	2.2	1.65	590	465	435	230	160	140	120	3/8" NPT	11	G1/2"	10.5
PDS - 20 L4	35/700	17.5/2.7	4	3.4	590	517	380	235	120	200	180	3/8" NPT	11	G1/2"	14.5
PDS - 20 L8	35/700	17.5/2.7	8	6.1	590	517	380	230	120	350	330	3/8" NPT	11	G1/2"	20.5
PDS - 120 - SE	20/700	122/4,8	9	7,5	702	617	326	269	253	220	-	3/8" NPT	-	G1/2"	22,5

* Poutlet port and T drain port, 3/8" NPT.