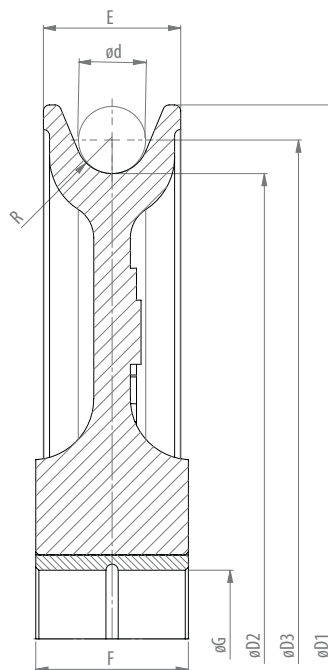


CAST SHEAVES, RIGGING >>

WITH BRONZE BUSHING



Model Nr.	Dimensions (mm)								Bearing	Weight (kg)
	Sheave tread ø	Shaft ø	For wire ød	Groove radius	Outer ø	P.C.D.	Rim width	Bearing width		
	øD2	øG	d	R	øD1	øD3	E	F		
SEF.80.15.20.4,5	80	15	8	4,5	100	88	18	20	Bronze	0,6
SEF.105.22.27.5,5	105	22	10	5,5	125	115	23	27	Bronze	1,5
SEF.120.30.40.6,5	120	30	12	6,5	150	132	36	40	Bronze	3
SEF.165.30.40.7,5	165	30	14	7,5	200	179	36	40	Bronze	4,5
SEF.195.60.60.12	195	60	22	12	250	217	50	60	Bronze	12
SEF.210.35.45.9,5	210	35	18	9,5	250	228	40	45	Bronze	8
SEF.240.80.62.15	240	80	28	15	300	268	58	62	Bronze	11,9
SEF.250.50.60.8,5	250	50	16	8,5	300	266	45	60	Bronze	13,9
SEF.250.70.60.13	250	70	24	13	300	274	55	60	Bronze	15
SEF.255.40.50.11	255	40	20	11	300	275	45	50	Bronze	12
SEF.300.80.62.17	300	80	32	17	365	332	58	62	Bronze	15,1
SEF.300.80.62.15	300	80	28	15	365	328	58	62	Bronze	15,7
SEF.305.45.50.12	305	45	22	12	350	327	45	50	Bronze	17
SEF.305.50.50.12	305	50	22	12	350	327	45	50	Bronze	13,9
SEF.305.70.75.14	305	70	26	14	350	331	70	75	Bronze	20
SEF.345.50.65.13	345	50	24	13	400	369	55	65	Bronze	23,6
SEF.345.50.60.13	345	50	24	13	400	369	55	60	Bronze	24
SEF.345.55.65.13	345	55	24	13	400	369	55	65	Bronze	23,4
SEF.345.60.60.13	345	60	24	13	400	369	55	60	Bronze	22,8
SEF.345.60.70.16	345	60	30	16	400	375	55	70	Bronze	22,8
SEF.345.60.70.15	345	60	28	15	400	373	55	70	Bronze	23
SEF.345.70.70.16	345	70	30	16	400	375	55	70	Bronze	22,3



- Different shaft sizes possible.
- Groove may be adjusted to other wire rope diameters.



SEE OUR WARNING & SAFETY INFORMATION

<< CAST SHEAVES, RIGGING

WITH BRONZE BUSHING

Model Nr.	Dimensions (mm)								Bearing	Weight (kg)
	Sheave tread \varnothing	Shaft \varnothing	For wire $\varnothing d$	Groove radius	Outer \varnothing	P.C.D.	Rim width	Bearing width		
	$\varnothing D2$	$\varnothing G$	d	R	$\varnothing D1$	$\varnothing D3$	E	F		
SEF.345.70.70.15	345	70	28	15	400	373	55	70	Bronze	22,5
SEF.345.80.80.19	345	80	36	19	400	381	70	80	Bronze	30
SEF.345.80.80.17	345	80	32	17	400	377	70	80	Bronze	31
SEF.345.80.80.15	345	80	28	15	400	373	75	80	Bronze	32
SEF.390.55.70.15	390	55	28	15	450	418	60	70	Bronze	36
SEF.390.60.70.16	390	60	28	16	450	418	60	70	Bronze	32
SEF.390.70.70.16	390	70	30	16	450	420	60	70	Bronze	31
SEF.390.70.70.15	390	70	28	15	450	418	60	70	Bronze	32
SEF.390.80.80.20	390	80	38	20	450	428	70	80	Bronze	40
SEF.390.80.80.19	390	80	36	19	450	426	70	80	Bronze	40
SEF.390.80.80.17	390	80	32	17	450	422	70	80	Bronze	41
SEF.390.80.85.19,5	390	80	37	19,5	450	427	75	85	Bronze	42
SEF.390.80.85.17	390	80	32	17	450	422	75	85	Bronze	48
SEF.390.90.85.19,5	390	90	37	19,5	450	427	75	85	Bronze	41
SEF.430.60.80.16	430	60	30	16	500	460	70	80	Bronze	44
SEF.430.80.80.20	430	80	38	20	495	468	70	80	Bronze	43
SEF.430.80.80.17	430	80	32	17	495	462	70	80	Bronze	44
SEF.430.100.80.20	430	100	38	20	495	468	70	80	Bronze	42
SEF.430.100.80.17	430	100	32	17	495	462	70	80	Bronze	43
SEF.430.100.100.19,5	430	100	37	19,5	500	467	90	100	Bronze	80
SEF.480.70.80.18	480	70	34	18	550	514	70	80	Bronze	52
SEF.480.120.120.21,5	480	120	40	21,5	550	520	100	120	Bronze	80
SEF.520.80.105.19,5	520	80	37	19,5	600	557	85	105	Bronze	80
SEF.520.120.90.27,5	520	120	52	27,5	595	572	80	90	Bronze	64
SEF.520.120.80.17	520	120	32	17	595	552	70	80	Bronze	64
SEF.520.120.90.23,5	520	120	44	23,5	595	564	80	90	Bronze	66
SEF.520.120.90.20	520	120	38	20	595	558	80	90	Bronze	68
SEF.560.100.110.20,5	560	100	39	20,5	665	599	100	110	Bronze	110
SEF.630.120.110.21,5	630	120	40	21,5	710	670	85	110	Bronze	115
SEF.710.150.130.23,5	710	150	44	23,5	810	754	98	130	Bronze	170
SEF.800.150.150.22	800	150	44	22	920	844	130	150	Bronze	270
SEF.920.160.150.22	920	160	41	22	1030	961	130	150	Bronze	380
SEF.1020.180.160.24,5	1020	180	46	24,5	1160	1066	140	160	Bronze	540

- Different shaft sizes possible.
- Groove may be adjusted to other wire rope diameters.



SEE OUR WARNING & SAFETY INFORMATION