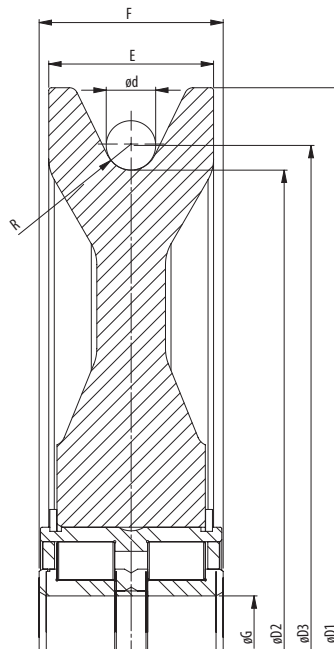
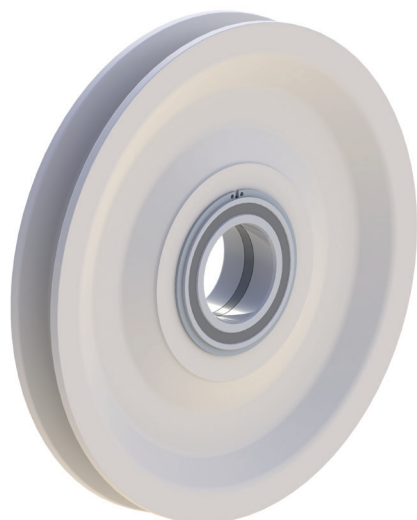


## PLASTIC SHEAVES

## WITH CYLINDRICAL ROLLER BEARINGS



Model Nr.	Dimensions (mm)								Bearing	Weight (kg)
	Sheave tread ø	Shaft ø	For wire ød	Groove radius	Outer ø	P.C.D.	Rim width	Bearing width		
	øD2	øG	d	R	øD1	øD3	E	F		
SE.260.5010.6,5.K	260	50	12	6,5	300	272	34	40	SL04 5010PP	2,9
SE.285.5012.6,5.K	285	60	12	6,5	325	297	34	46	SL04 5012PP	3,9
SE.350.5014.14.K	350	70	26	14	416	376	52	54	SL04 5014PP	5,9
SE.352.5013.9,5.K	352	65	17	9,5	400	369	42	46	SL04 5013PP	5,5
SE.352.5013.8,5.K	352	65	16	8,5	400	368	42	46	SL04 5013PP	5,6
SE.352.5016.8,5.K	352	80	16	8,5	400	368	50	60	SL04 5016PP	7,6
SE.400.5018.10,5.K	400	90	19	10,5	460	419	60	67	SL04 5018PP	9,8
SE.400.5018.10.K	400	90	18	10	460	418	60	67	SL04 5018PP	10,8
SE.400.5024.10.K	400	120	18	10	460	418	72	80	SL04 5024PP	14
SE.400.160.10.K	400	160	18	10	460	418	72	80	SL04 160PP	13,5
SE.482.5018.12.K	482	90	22	12	558	504	62	67	SL04 5018PP	13
SE.482.5018.11,5.K	482	90	21	11,5	560	503	62	67	SL04 5018PP	14
SE.482.5024.11,5.K	482	120	21	11,5	560	503	72	80	SL04 5024PP	17,5
SE.482.160.11,5.K	482	160	21	11,5	560	503	72	80	SL04 160PP	17,2
SE.528.5018.14.K	528	90	26	14	596	554	62	67	SL04 5018PP	14,9
SE.528.5018.12.K	528	90	22	12	596	550	60	67	SL04 5018PP	15
SE.528.5018.13.K	528	90	24	13	596	552	62	67	SL04 5018PP	15
SE.528.5018.8,5.K	528	90	16	8,5	596	544	62	67	SL04 5018PP	15,3
SE.528.5024.13.K	528	120	24	13	596	552	72	80	SL04 5024PP	20,9
SE.528.160.13.K	528	120	24	13	596	552	72	80	SL04 160PP	22,1
SE.630.160.15,5.K	630	160	28	15,5	710	658	75	80	SL04 160PP	28
SE.662.5026.15,5.K	662	130	28	15,5	742	690	80	95	SL04 5026PP	35
SE.772.5026.15,5.K	772	130	28	15,5	852	800	80	95	SL04 5026PP	46

- The dimensions in this table are indicative only. A drawing will always be submitted prior to production and will be the leading document when discussing dimensions.
- Sheaves shown here are standard models; inquiries for custom versions are welcome.



**SEE OUR WARNING & SAFETY INFORMATION**