

PDSA

700 bar
122 - 2,6 cm³ oil flow
1 - 9 l capacity

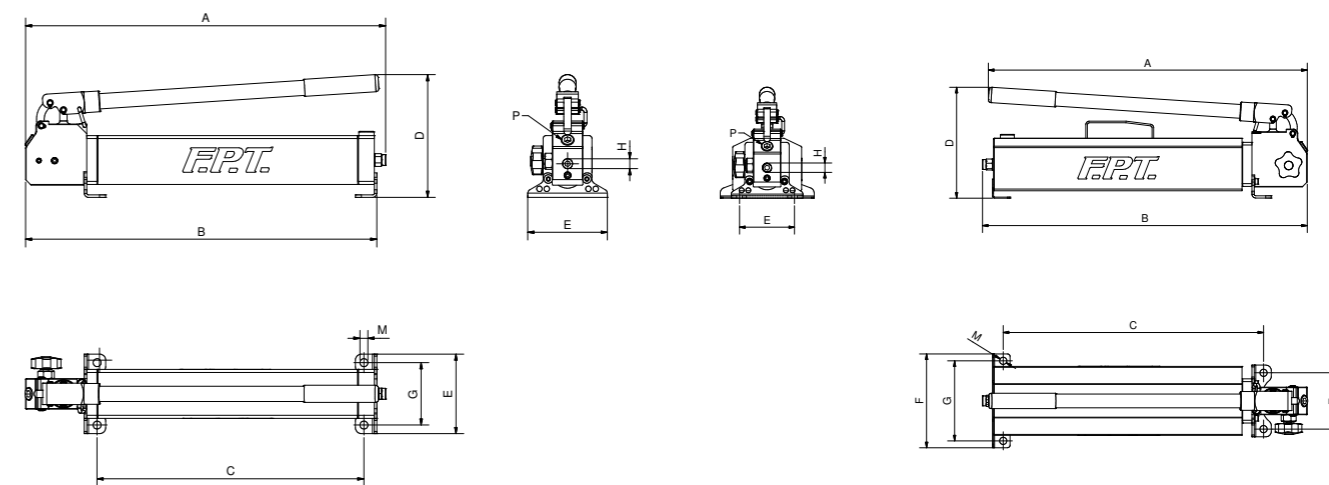
Series
PDSA

Two speed hand pump aluminium



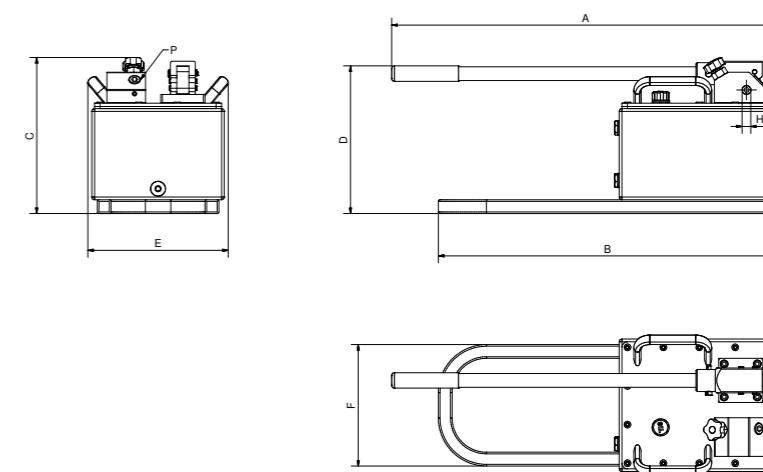
For maximum performance

- High pressure hand pumps manufactured in light alloy of aeronautical grade aluminum to minimize the weight.
- Two speed version first stage 40 cc flow rate for rapid approach and 3 cc at the second stage. For maximum speed during operations.
- Pressure relief valve integrated in the pump body for maximum operator safety.
- High performance, low weight and excellent ergonomics.
- Integrated pressure gauge connection for direct assembly of measuring instrument.
- Oil filler cap with integrated breather. Tough pins with trough-holes for attachment to machinery or structures.
- Surface treatments to guarantee total reliability in the most difficult environments and maximum duration.



PDSA 40C - PDSA-40

PDSA-40 L4/L8



PDS-120-SE

CUSTOM PUMPS ON REQUEST



MODEL	PRESSURE 1 ST /2 ND STAGE bar	OIL FLOW 1 ST /2 ND STAGE cm ³	RESERVOIR CAPACITY litres	USABLE OIL litres	DIMENSIONS in mm										WEIGHT kg
					A	B	C	D	E	F	G	H	M	P	
PDSA-40C	25/700	40/1	1	0,9	392,5	378	240	190	130	130	102	3/8" NPT	13	G 1/2"	5,5
PDSA - 40	25/700	40/3	1,8	1,6	590	477	435	200	130	130	102	3/8" NPT	13	G 1/2"	7,8
PDSA - 40 L4	25/700	40/2,6	4	3,2	578	588	471,5	201	102	170	145	3/8" NPT	13	G 1/2"	11
PDSA - 40 L8	25/700	40/2,6	8	6,3	578	588	471,5	201	102	290	265	3/8" NPT	13	G 1/2"	16,5
PDS - 120 - SE	20/700	122/4,8	9	7,5	702	617	326	269	253	220	-	3/8" NPT	-	G 1/2"	22,5