



**HADEF**®

**HADEF**  
**ALUflex**

**360/21**

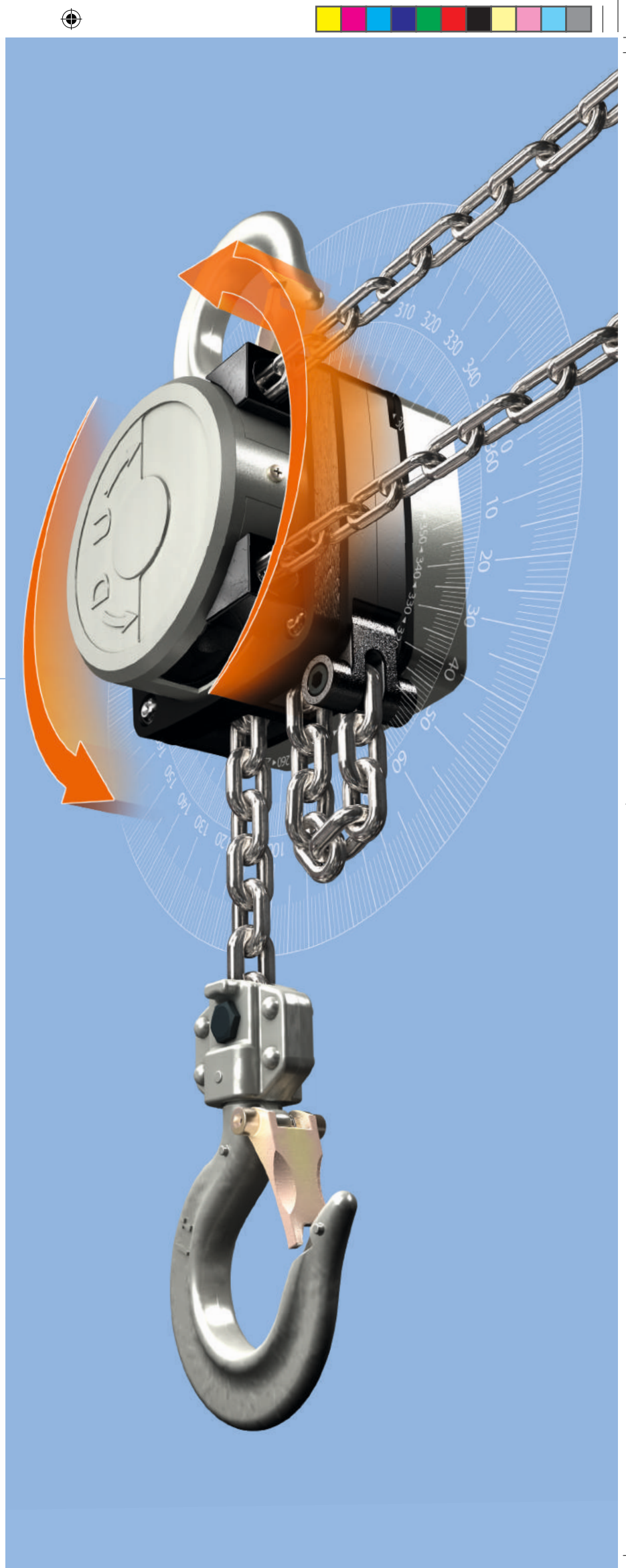
**360/21<sup>+</sup>**

HOIST PROTECTION BY SLIPPING CLUTCH

**NEW**

**CONSIDERABLY  
SMALLER**

**UP TO 45%  
LIGHTER**



**HADEF**  
**ALUflex** 360/21

# 360° = FLEXIBLE HANDLING, SAFETY & FLEXIBILITY

360° rotation of the hand chain wheel

- Safe - the operator does not stand in the dangerous zone under the load
- Load handling from nearly any angle

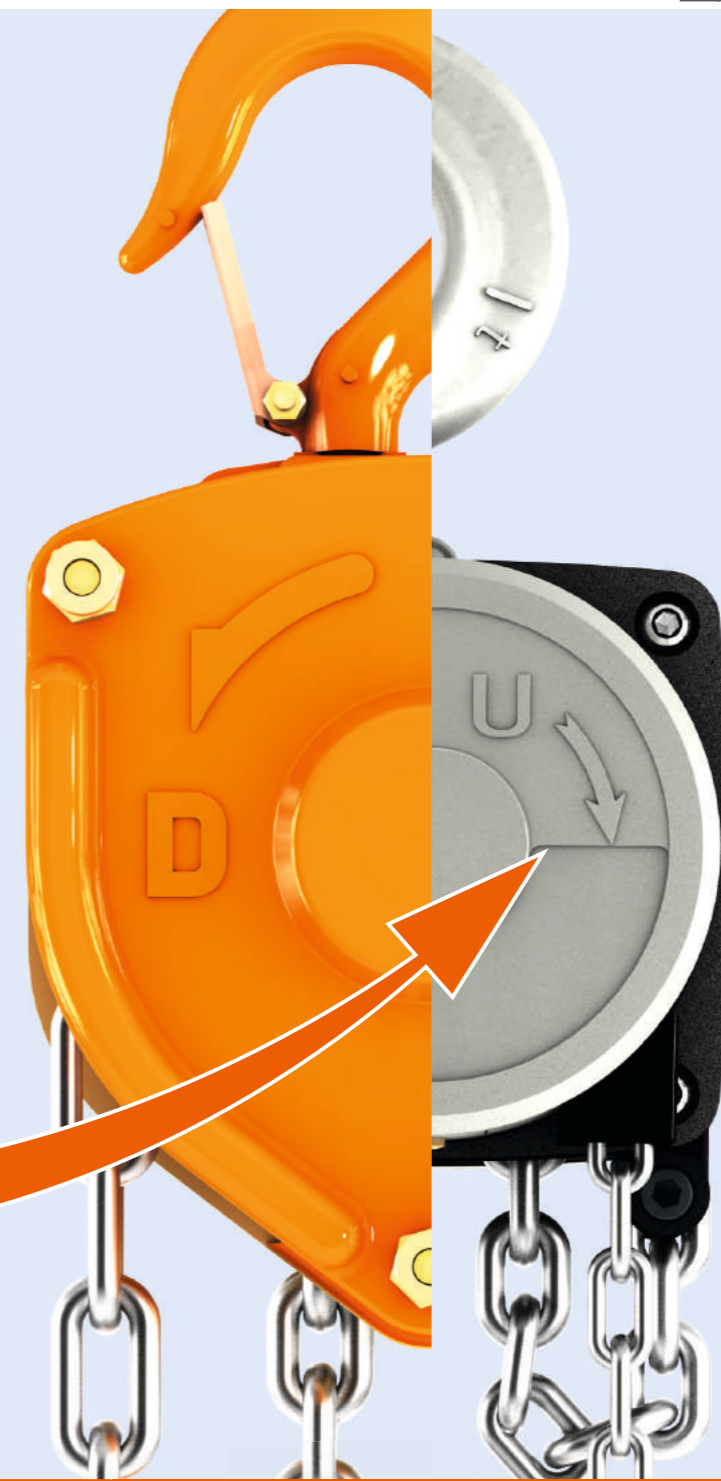


# HADEF ALUflex 360/21

## CONSIDERABLY SMALLER

### Compact design

- Flexible for various applications
- Small = easy handling
- Light weight - advantage for transport and handling



**HADEF**  
**ALUflex** 360/21

**UP TO - 45%\***  
**LIGHTER**

Light weight

■ The HADEF advantage when every kilo counts

\*Up to 45% less weight compared to other standard hoists



**HADEF**  
**ALUflex** 360/21

# REINFORCED SAFETY CATCH

Increased operation safety

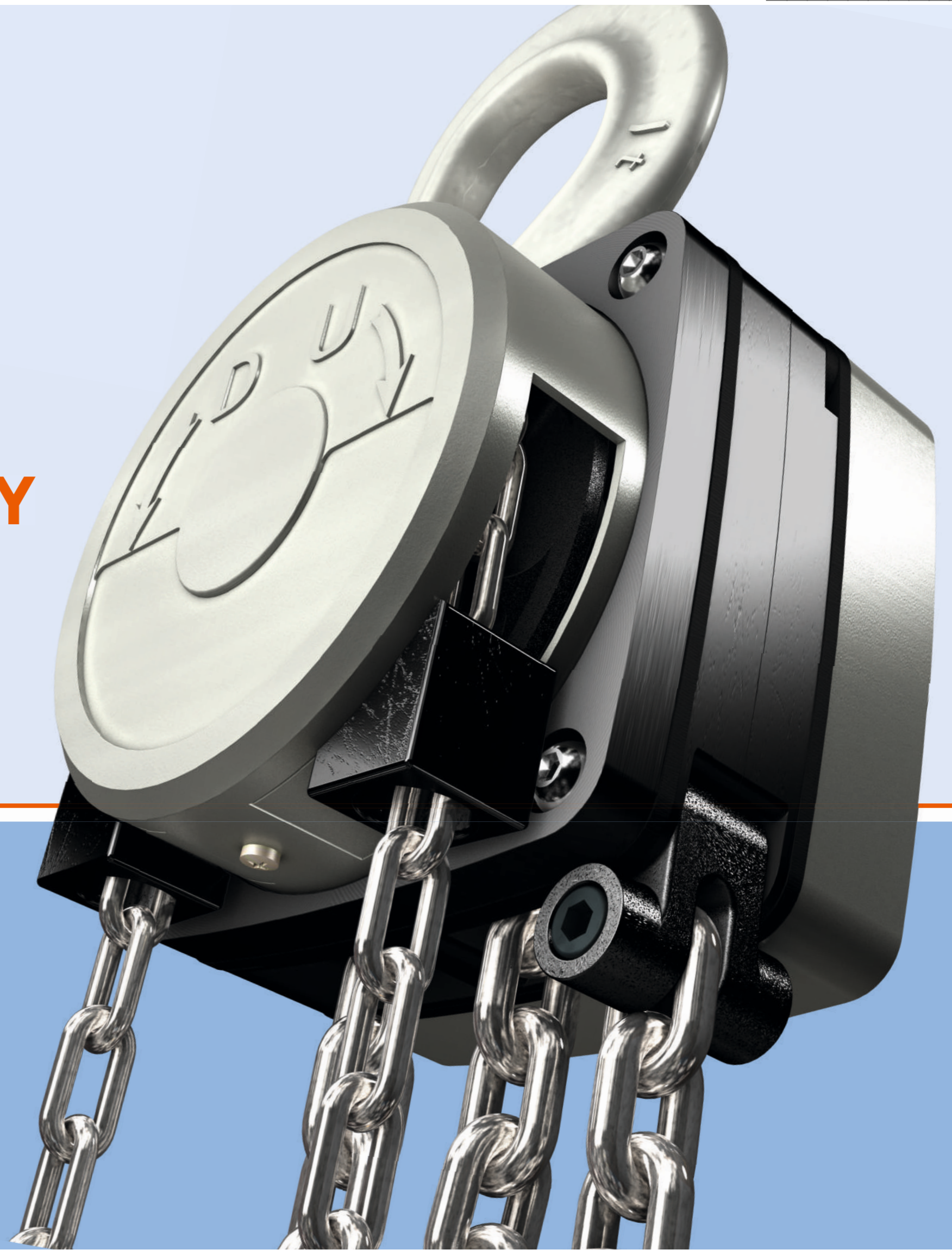


HADEF  
ALUflex 360/21

## ENCLOSED BODY

Nearly enclosed aluminium body

- Protection of inner components against dust and humidity



**HADEF**  
**ALUflex** 360/21

# CHAIN GUIDE DEVICE

Ensures safe and guided  
feed-in of the chain



# HADEF ALUflex 360/21

## BELT POUCH - FOR TRANSPORT

As option fitted with practical belt bag\*  
or with chain container

■ The ideal equipment - for transport - operation and storage

\*Available for hoists up to 1000kg capacity

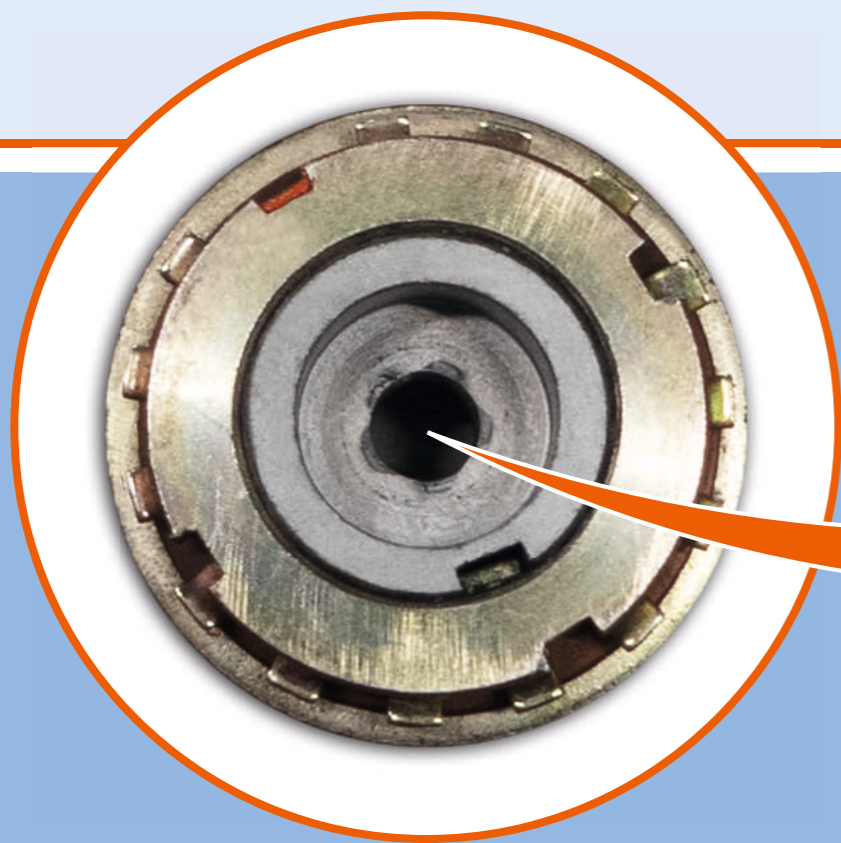
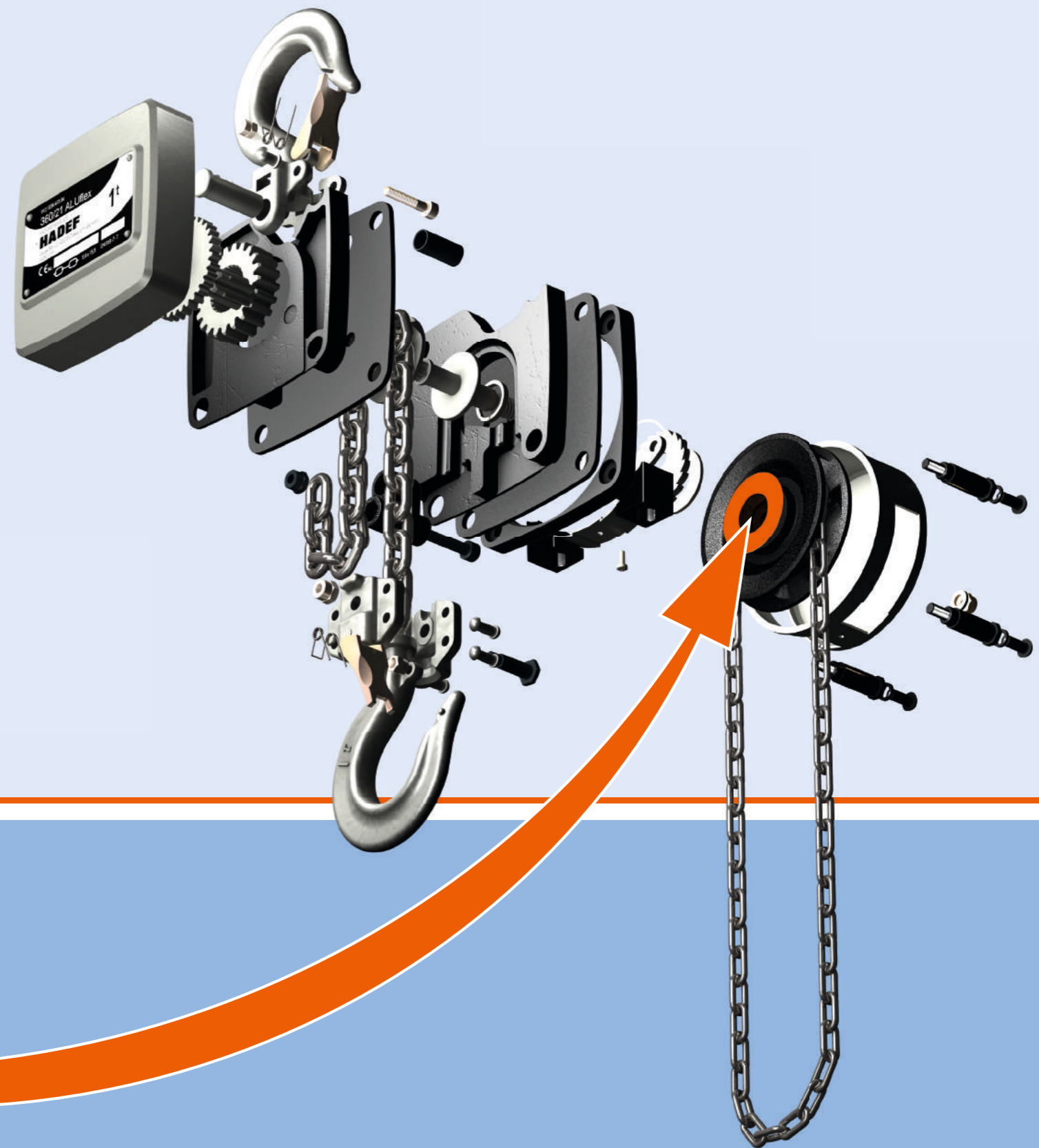




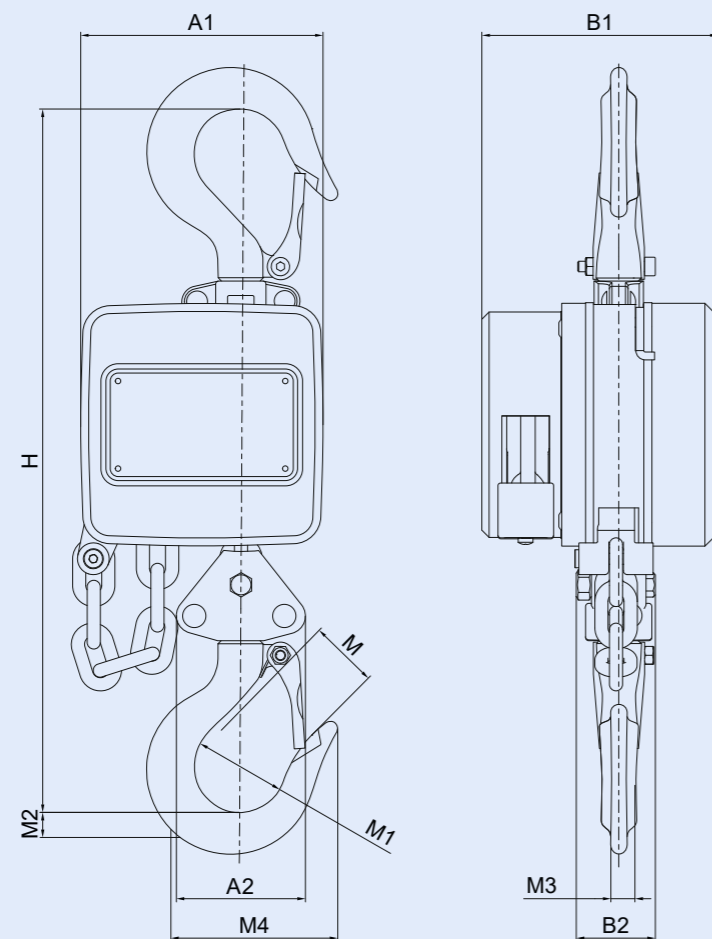
# HADEF ALUflex 360/21<sup>+</sup>

## THE HADEF TECHNIC ADVANTAGE SAFETY +

The 360/21 „+ series“ is fitted with hoist protection by slipping clutch



# HADEF ALUflex 360/21



## SMALL | LIGHT WEIGHT | FLEXIBLE



Capacity   Chain falls	Main dimensions in mm									
	A1	A2	B1	B2	M	M1	M2	M3	M4	H
250   1	75	30	77	26	20	31	14	11	65	225
500   1	92	49	89	29	21	33	17	11	72	265
1000   1	110	51	102	35	26	41	24	15	94	295
1500   1	130	64	120	37	30	41	30	20	104	350
2000   1	145	64	138	43	34	44	33	22	119	390
3000   2	165	85	120	47	35	47	35	25	126	470
5000   2	170	113	160	65	42	66	47	22	159	580

Tragfähigkeit   Kettenstränge	Load chain	Hand chain	Lift at 30 m Hand chain	Hand chain pull	Weight at 3 m suspension height	Weight per add. m lift
kg	mm	mm	mm	N	kg	kg
250   1	3 x 9	2,5 x 12	1202	147	2,6	0,4
500   1	4,2 x 12,2	3,5 x 16	758	187	4,6	0,8
1000   1	5,6 x 15,8	3,5 x 16	489	280	6,6	1,1
1500   1	7,1 x 20,1	4,8 x 22	420	320	12	1,5
2000   1	8 x 24	4,8 x 22	332	360	13,5	1,8
3000   2	7,1 x 20,1	4,8 x 22	210	340	17	3,1
5000   2	9 x 27	4,8 x 22	313	365	29,5	4,7



# HADEF®

## NEW

### RATCHET LEVER HOIST 53/22 A



ISO 9001  
certified company

**HEINRICH DE FRIES GmbH**  
Gaußstr. 20 | 40235 Düsseldorf

Tel.: +49 211 2307-0  
mail@hadeF.de

hadeF.com

